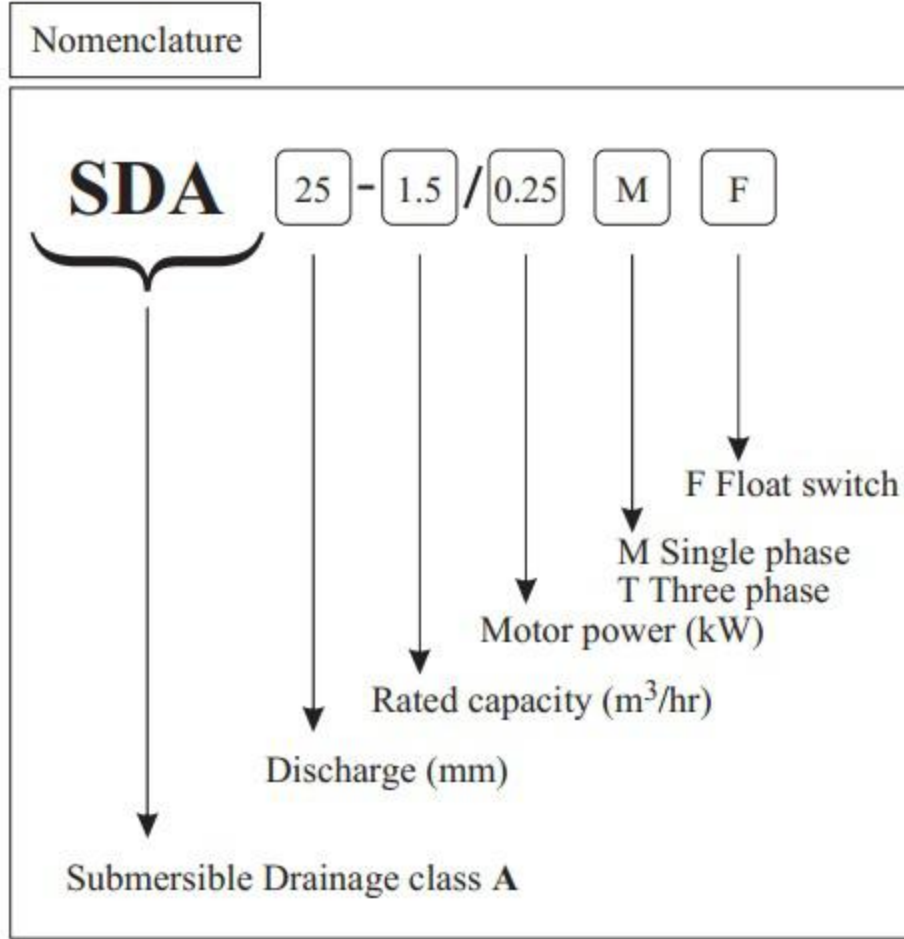


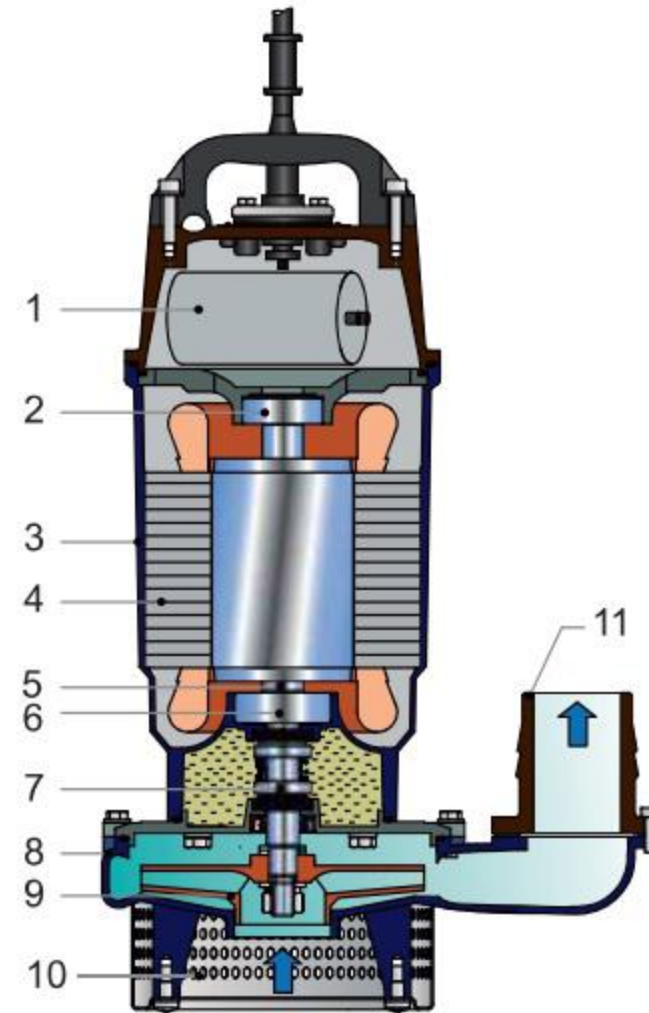
الکتروپمپ های کف کش چدنی / آلومینیومی (تولید داخل با برند **ABB**)
موارد مصرف : پمپاژ از چاه های آب ، سیستم های آبیاری مزارع و زه کشی، آبیاری باغات
مصارف خانگی، حوضچه های پرورش ماهی، پروژه های عمرانی و صنعتی

2850
rpm



Pump schematic & Components

1	Capacitor
2	Upper Bearing
3	Motor Casing
4	Motor
5	Motor Shaft
6	Lower Bearing
7	Mechanical Seal
8	Pump Casing
9	Impeller
10	Fitter Screen
11	Discharge



Submersible Pumps	S Series
Specification: SDA (Drainage Pump)	50 Hz

SDA			
PUMP	Liquid Handled	Type of Liquid	Clean Water & Dirty Water
		Max. Temp. (°C)	40 ⁰
		Max. Solids Size (mm)	0.2
		Max. Sand content	0.1%
		pH Level	6.5 - 8.5
	Submergence	Max (m)	5
		Min (m)	0.5
	Construction	Impeller	Closed
		Shaft seal type	Oil lubricated, single spring double mechanical seal
	Connection	Suction	Strainer
		Discharge (mm)	DN 25, 32, 40, 50, 65, 80
	Material	Casing	Aluminium
		Impeller	SDA (25-2.5/0.55 M), (25-3.5/0.75 M), (65-27/1.5 T), (80-38/0.75 T) Technopolymer (for other item) Cast Aluminium
		Suction Cover	Galvanized Steel
		Shaft	Stainless Steel
		Motor frame	Aluminium
		fasteners	Stainless Steel
	Mechanical Seal	Carbon/Ceramic/NBR Impeller Side Carbon/Ceramic/NBR Motor Side	
Accessories	Standard	Float switch for Single phase	
Certificates		CE	

Motor	Type	Air filled dry submersible	
	No. of poles	2	
	Rotation Speed (r/min)	2850	
	Insulation Class	F	
	Protection Degree	IP 68	
	Power Rating (kW)	0.25 - 1.5	
	Frequency (Hz)	50 ± 5%	
	Voltage (V)	220±10% for single phase & 380±10% for three phase	
	Starting	DOL	
	Over Load Protection	Built in	
	Cable	material	H07RN-F
		length (m)	8 or 10 (Additional information is provided in SDA model pages)
	Bearings	Permanently lubricated sealed ball bearing	

Performance Curves & Tables

Model		Motor		Q (lit/min)	0	16	33	50	66	83	100	116	133	150	166	
Single Phase	Three Phase	HP	kW	Q (m3/hr)	0	1	2	3	4	5	6	7	8	9	10	
SDA 25-2.5/0.25 M	-	0.33	0.25	Head (m)	13.6	12.9	11.7	9.3	5.6	-	-	-	-	-	-	
SDA 25-2.5/0.37 M	-	0.5	0.37		17.9	17.5	16.4	14.6	12.1	9.0	-	-	-	-	-	-
SDA 25-2.5/0.55 M	-	0.75	0.55		25.3	24.6	23.3	20.8	17.7	-	-	-	-	-	-	-
SDA 25-3.5/0.75 M	-	1.0	0.75		32.2	31.6	30.5	28.7	26.5	23.5	20.1	-	-	-	-	-
SDA 25-7/1.1 M	SDA 25-7/1.1 T	1.5	1.1		31.1	-	-	30.2	29.0	27.7	26.2	24.1	21.9	19.2	16.2	-

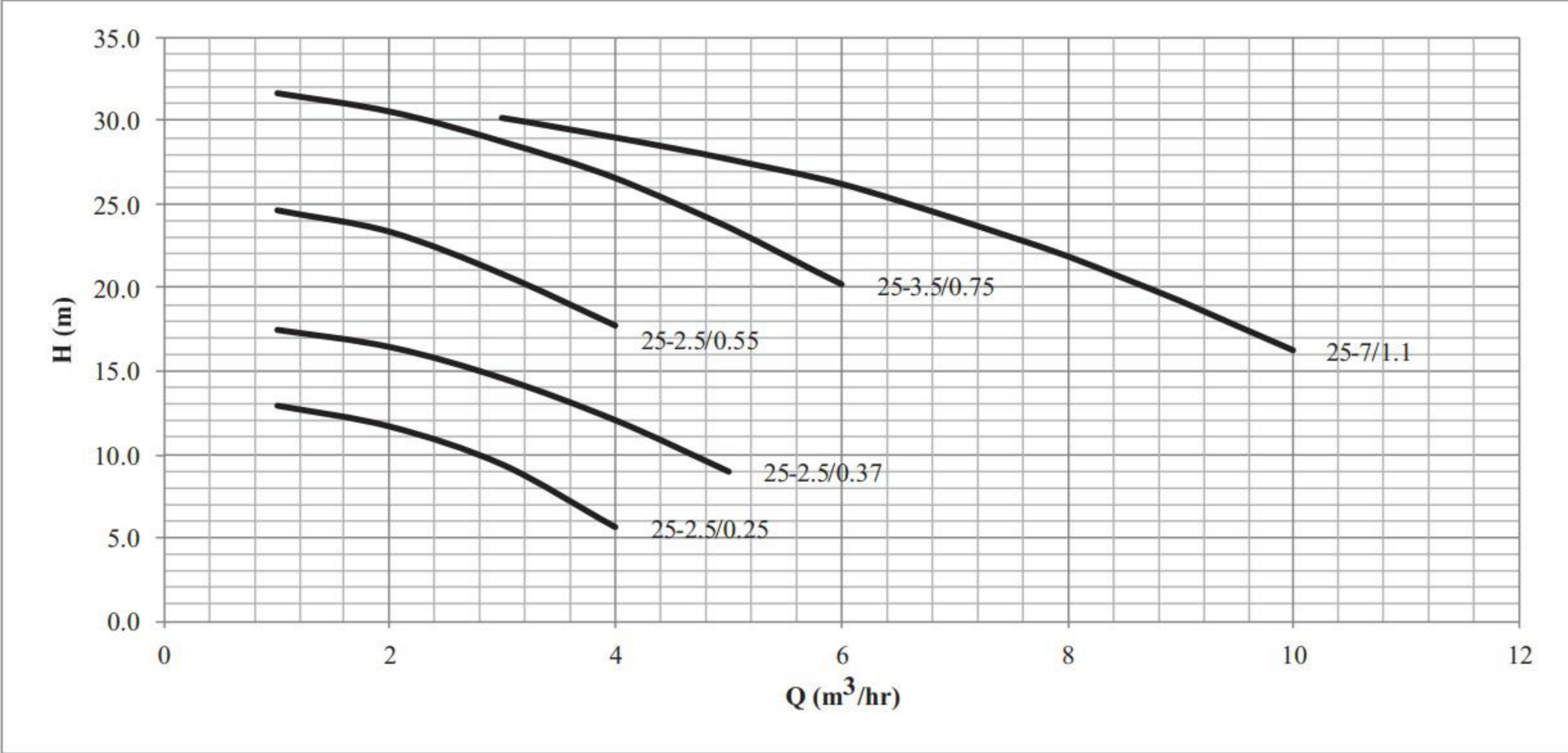
Model		Motor		Q (lit/min)	0	16	33	50	66	83	100	116	133
Single Phase	Three Phase	HP	kW	Q (m3/hr)	0	1	2	3	4	5	6	7	8
SDA 32-4/0.55 M	-	0.75	0.55	Head (m)	21.1	20.7	19.5	17.9	16.1	13.6	10.6	6.8	-
SDA 32-4/0.75 M	-	1.0	0.75		25.7	25.4	24.9	24.0	23.1	21.6	19.7	17.4	15.0

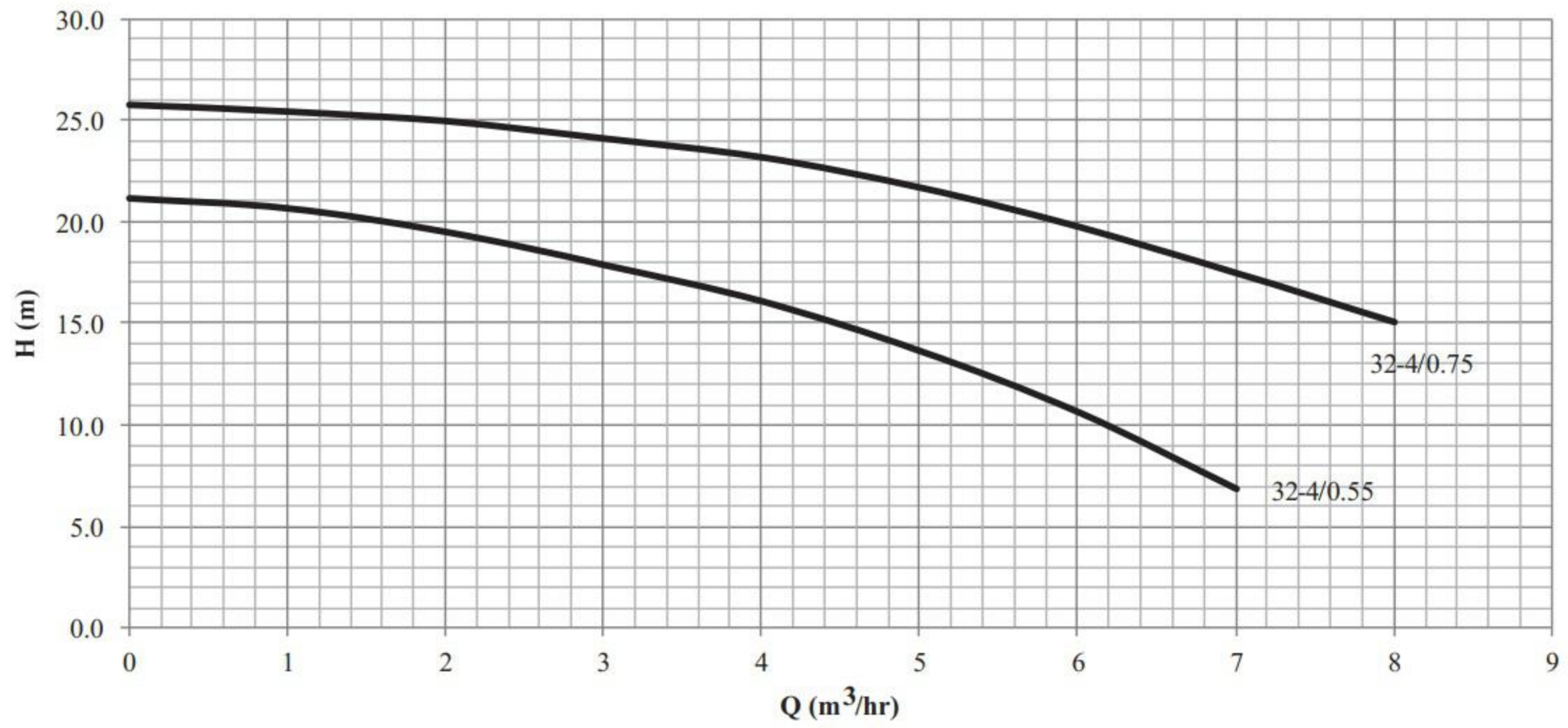
Model		Motor		Q (lit/min)	0	50	100	150	200
Single Phase	Three Phase	HP	kW	Q (m3/hr)	0	3	6	9	12
SDA 40-10/0.55 M	-	0.75	0.55	Head (m)	18.0	-	15.0	12.7	9.2
SDA 40-8/0.75 M	SDA 40-8/0.75 T	1.0	0.75		20.3	-	18.6	17.1	14.4

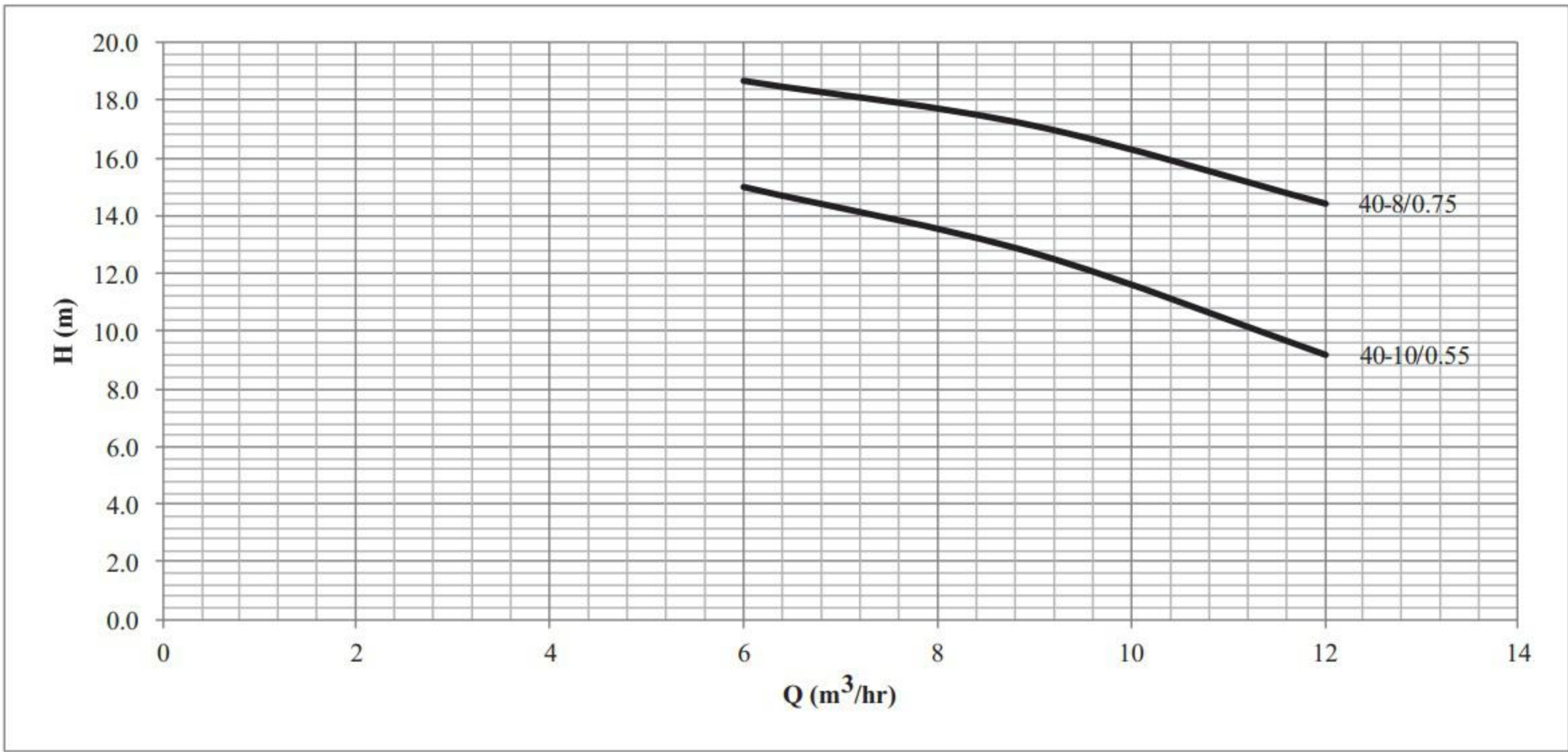
Model		Motor		Q (lit/min)	0	50	100	150	200	250	300	350	400	450
Single Phase	Three Phase	HP	kW	Q (m3/hr)	0	3	6	9	12	15	18	21	24	27
SDA 50-16/0.55 M	-	0.75	0.55	Head (m)	9.9	-	-	8.7	8.0	7.1	6.2	5.0	3.7	-
SDA 50-10/0.75 M	SDA 50-10/0.75 T	1.0	0.75		20.3	-	18.6	17.1	14.4	-	-	-	-	-
SDA 50-16/1.1 M	SDA 50-14/1.1 T	1.5	1.1		18.5	-	17.6	17.0	16.0	14.7	13.1	11.0	8.5	5.6

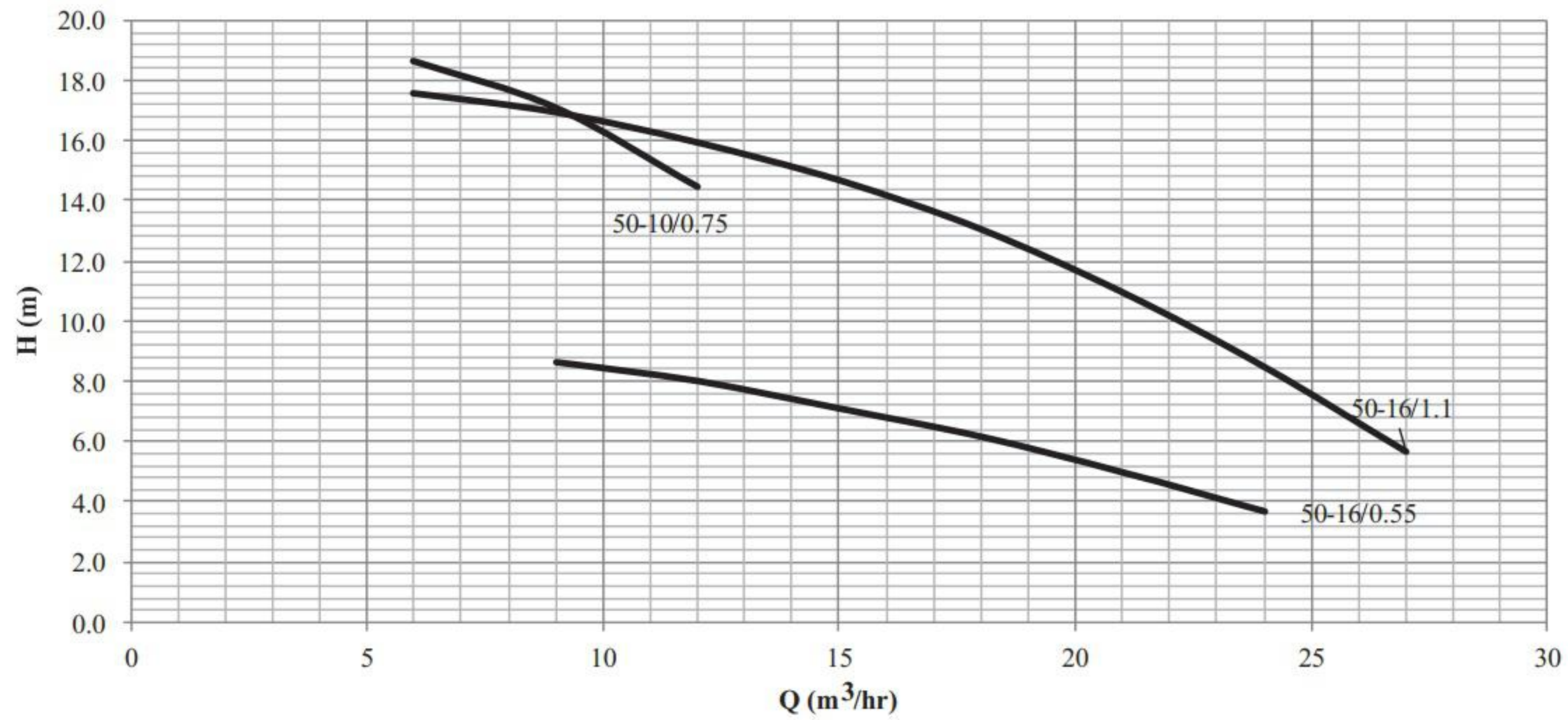
Model		Motor		Q (lit/min)	0	50	100	150	200	250	300	350	400	450	500	550	600	
Single Phase	Three Phase	HP	kW	Q (m3/hr)	0	3	6	9	12	15	18	21	24	27	30	33	36	
SDA 65-24/0.75 M	-	1.0	0.75	Head (m)	11.7	-	-	-	10.6	10.1	9.7	9.2	8.6	8.0	7.4	6.5	5.6	
SDA 65-16/1.1 M	SDA 65-15/1.1 T	1.5	1.1		18.5	-	17.6	17.0	16.0	14.7	13.1	11.0	8.5	5.6	-	-	-	-
-	SDA 65-27/1.5 T	2.0	1.5		18.0							14.6	13.4	12.2	10.4	8.7	6.6	4.3

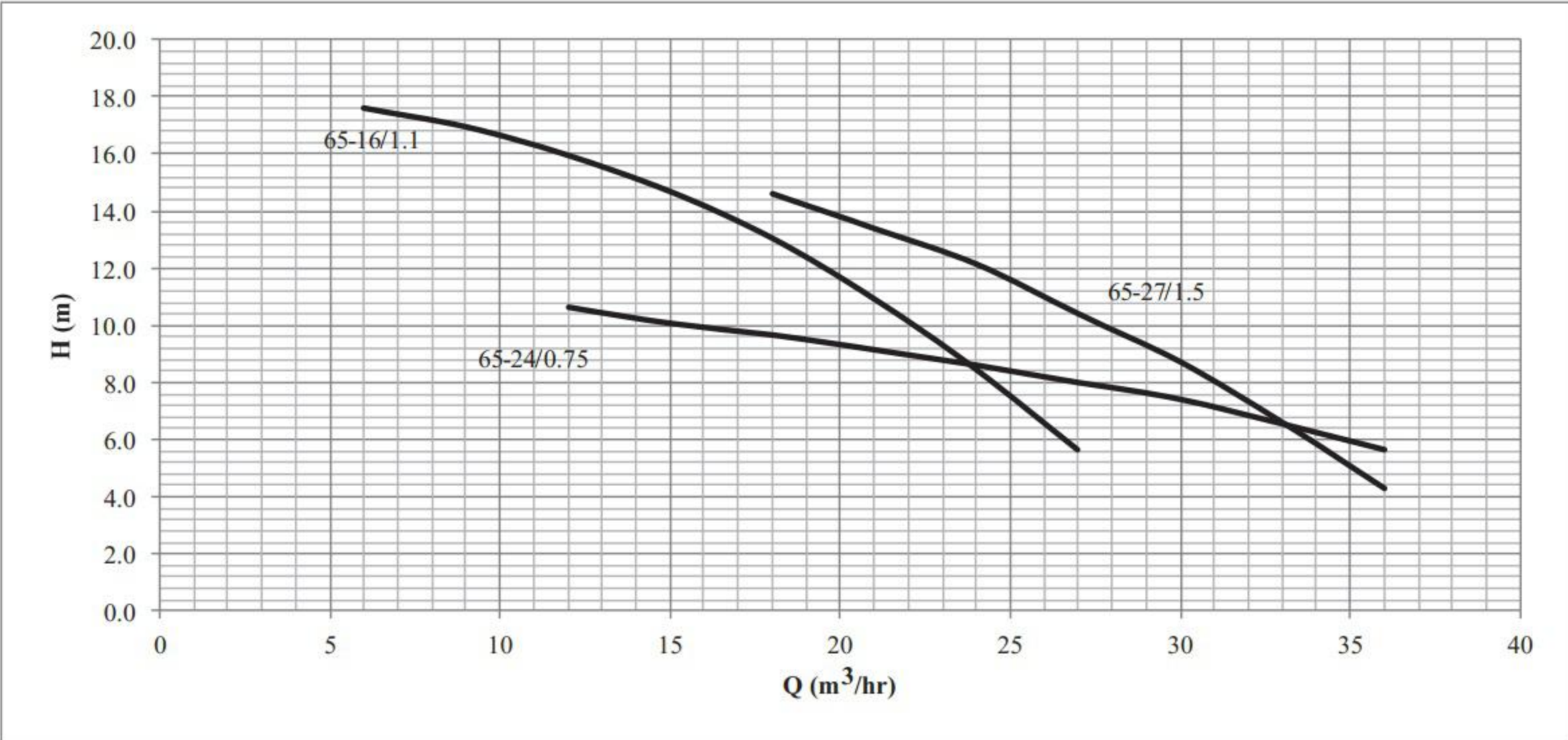
Model		Motor		Q (lit/min)	0	300	400	500	600	700	800	900	1000
Single Phase	Three Phase	HP	kW	Q (m3/hr)	0	18	24	30	36	42	48	54	60
SDA 80-48/1.1 M	SDA 80-48/1.1 T	1.5	1.1	Head (m)	9.9	-	-	-	6.7	5.7	4.4	3.1	1.9
SDA 80-38/0.75 M	SDA 80-38/0.75 T	1.0	0.75		11.6	-	-	-	7.3	5.2	-	-	-
-	SDA 80-38/1.5 T	2.0	1.5		12.2	10.8	10.2	9.6	8.9	8.2	7.2	6.0	4.6

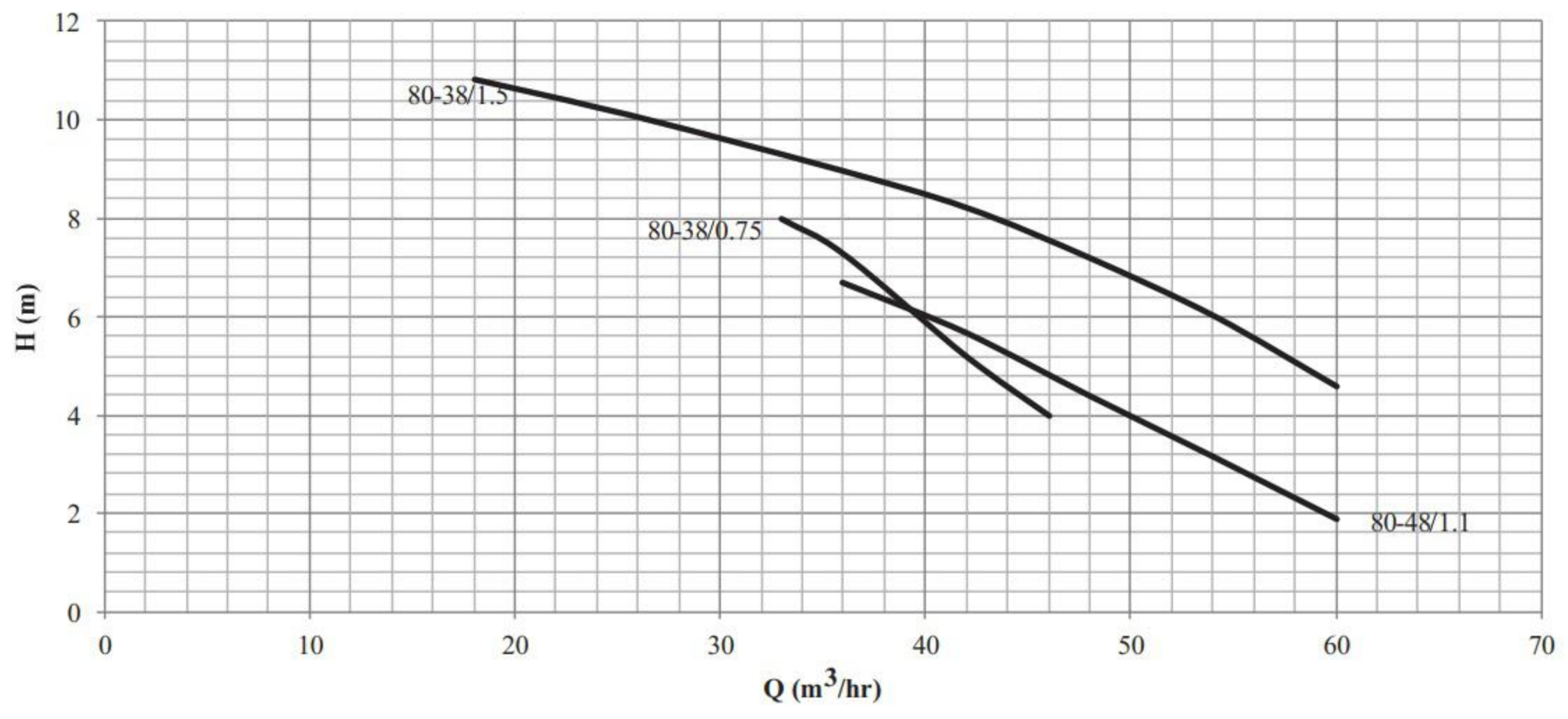






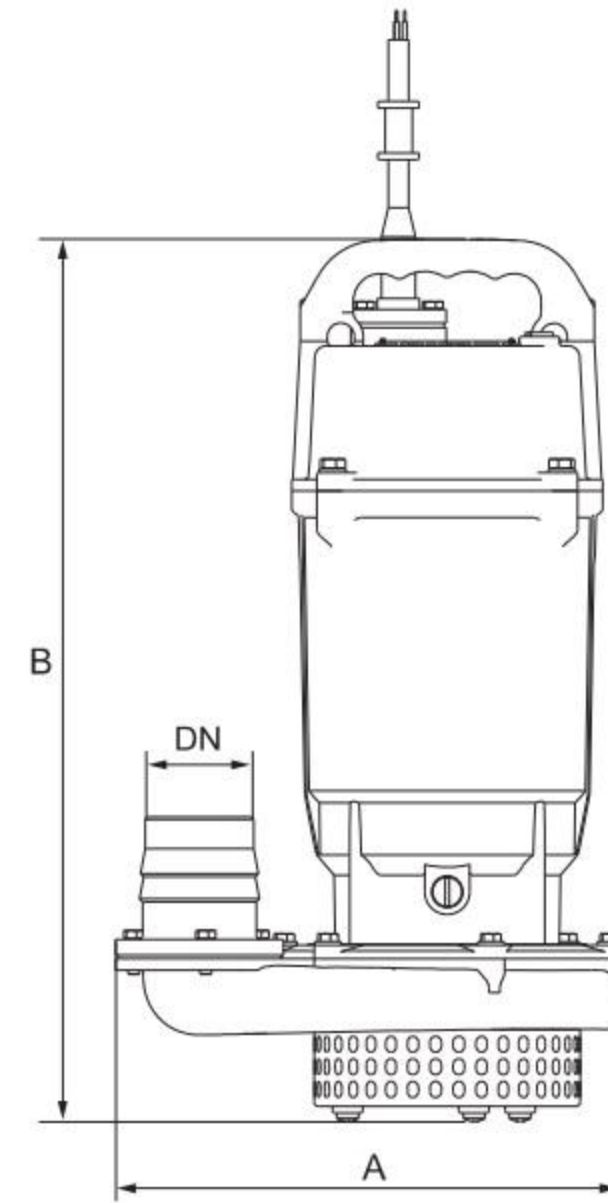






Dimensions & Weights

Model	Dim.(mm)			N.W. (kg)
	A	B	DN	
SDA 25-2.5/0.25 M	175	310	25	4.5
SDA 25-2.5/0.37 M	190	340	25	6.5
SDA 25-2.5/0.55 M	220	360	25	9
SDA 32-4/0.55 M	205	360	32	9
SDA 40-10/0.55 M	215	365	40	9
SDA 50-16/0.55 M	215	380	50	9
SDA 25-3.5/0.75 M	240	380	25	11
SDA 32-4/0.75 M	220	380	32	11
SDA 40-8/0.75 M	230	380	40	10.5
SDA 50-10/0.75 M	230	380	50	10.5
SDA 65-24/0.75 M	240	395	65	11
SDA 80-30/0.75 M	240	390	75	11
SDA 80-38/0.75 M	260	420	75	12.5
SDA 25-7/1.1 M	235	430	25	14
SDA 50-16/1.1 M	245	445	50	15.5
SDA 65-16/1.1 M	245	445	65	15.5
SDA 80-48/1.1 M	265	475	75	17
SDA 40-8/0.75 T	230	380	40	10
SDA 50-10/0.75 T	230	380	50	10
SDA 80-38/0.75 T	260	420	75	12
SDA 25-7/1.1 T	235	430	25	11
SDA 50-16/1.1 T	245	445	50	14
SDA 65-16/1.1 T	245	445	65	14
SDA 80-48/1.1 T	265	475	75	16
SDA 65-27/1.5 T	245	475	65	16
SDA 80-38/1.5 T	265	500	75	18



Details & Extra Information

Model	Power		Rate Current (A)	Cable line (m)	Dim.mm (L×W×H)	G.W. (kg)
	kW	HP				
SDA 25-2.5/0.25 M	0.25	0.33	2.1	10	360×160×200	5
SDA 25-2.5/0.37 M	0.37	0.5	2.9	10	380×160×200	7
SDA 25-2.5/0.55 M	0.55	0.75	4.1	10	395×195×220	9.5
SDA 32-4/0.55 M	0.55	0.75		10	410×195×220	9.5
SDA 40-10/0.55 M	0.55	0.75		10	410×210×220	9.5
SDA 50-16/0.55 M	0.55	0.75		10	410×210×220	9.5
SDA 25-3.5/0.75 M	0.75	1		5.2	10	415×210×225
SDA 32-4/0.75 M	0.75	1	10		410×195×220	11.5
SDA 40-8/0.75 M	0.75	1	10		420×195×230	11
SDA 50-10/0.75 M	0.75	1	10		420×195×230	11
SDA 65-24/0.75 M	0.75	1	10		420×220×240	11.5
SDA 80-30/0.75 M	0.75	1	8		420×220×260	11.5
SDA 80-38/0.75 M	0.75	1	8		450×280×215	13.5

SDA 25-7/1.1 M	1.1	1.5	7.3	10	455×280×215	15
SDA 50-16/1.1 M	1.1	1.5		10	470×280×215	16.5
SDA 65-16/1.1 M	1.1	1.5		10	470×280×215	16.5
SDA 80-48/1.1 M	1.1	1.5		10	505×280×215	18
SDA 40-8/0.75 T	0.75	1	2	8	420×195×230	10.5
SDA 50-10/0.75 T	0.75	1		8	420×195×230	10.5
SDA 80-38/0.75 T	0.75	1		8	455×280×215	13
SDA 25-7/1.1 T	1.1	1.5	2.7	8	455×280×215	12
SDA 50-16/1.1 T	1.1	1.5		8	470×280×215	15
SDA 65-16/1.1 T	1.1	1.5		8	470×280×215	15
SDA 80-48/1.1 T	1.1	1.5		8	505×280×215	17
SDA 65-27/1.5 T	1.5	2	3.6	8	505×280×215	17
SDA 80-38/1.5 T	1.5	2		8	530×280×215	19