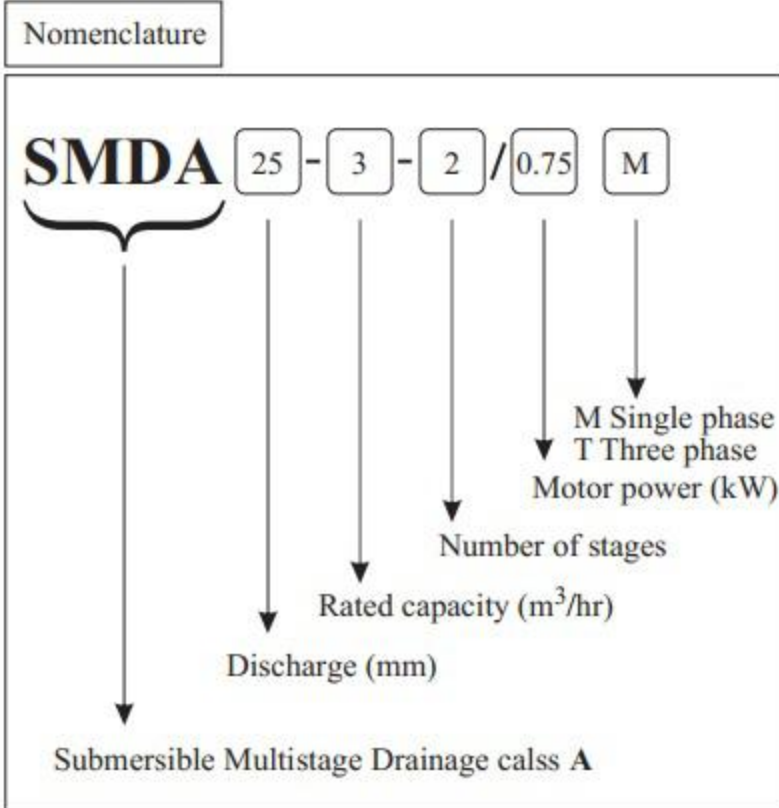


Submersible Multistage Drainage Electropumps in Cast Iron (SMDA)

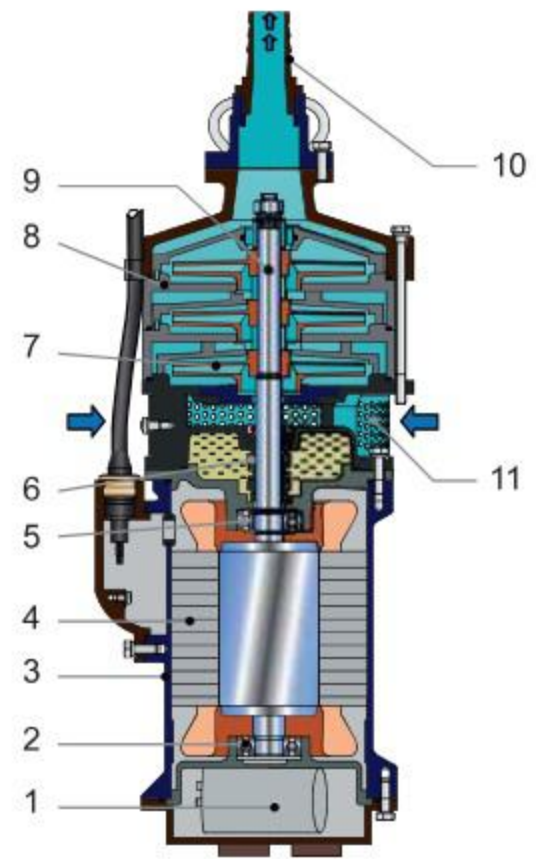
الکتروپمپ های کف کش طبقاتی چدنی (تولید داخل با برند **ABB**)
موارد مصرف : مصارف کشاورزی و آبیاری با فشار بالا، آبیاری بارانی، تامین آب از چاه های عمیق و نیمه عمیق، پرورش ماهی و آبزیان دریایی

2850
rpm



Pump schematic & Components

1	Capacitor (only for Single phase)
2	Lower bearing
3	Motor Casing
4	Motor
5	Upper Bearing
6	Mechanical Seal
7	Impeller
8	Pump Casing
9	Motor Shaft
10	Discharge
11	Fitter Screen



SMDA			
PUMP	Liquid Handled	Type of Liquid	Clean Water & Dirty Water
		Max. Temp. (°C)	40 ⁰
		Max. Solids Size (mm)	0.2
		Max. Sand content	0.1%
		pH Level	6.5 - 8.5
	Submergence	Max (m)	5
		Min (m)	0.5
	Construction	Impeller	Closed
		Shaft seal type	Oil lubricated, single spring double mechanical seal
	Connection	Suction	Strainer
		Discharge (mm)	DN 25, 40, 50, 65
	Material	Casing	Cast iron
		Impeller	Cast Aluminium
		Suction Cover	Stainless Steel
		Shaft	Stainless Steel
		Motor frame	Cast iron
		fasteners	Stainless Steel
		Mechanical Seal	Carbon/Ceramic/NBR Impeller Side Carbon/Ceramic/NBR Motor Side
	Accessories	Standard	Float switch for Single phase
	Certificates		CE

Motor	Type		Air filled dry submersible
	No. of poles		2
	Rotation Speed (r/min)		2850
	Insulation Class		F
	Protection Degree		IP 68
	Power Rating (kW)		0.75 - 7.5
	Frequency (Hz)		50 ± 5%
	Voltage (V)		220±10% for single phase & 380±10% for three phase
	Starting		DOL
	Over Load Protection		Built in
	Cable	material	H07RN-F
		length (m)	15, 18 or 30 (Additional information is provided in SMDA model pages)
	Bearings		Permanently lubricated sealed ball bearing

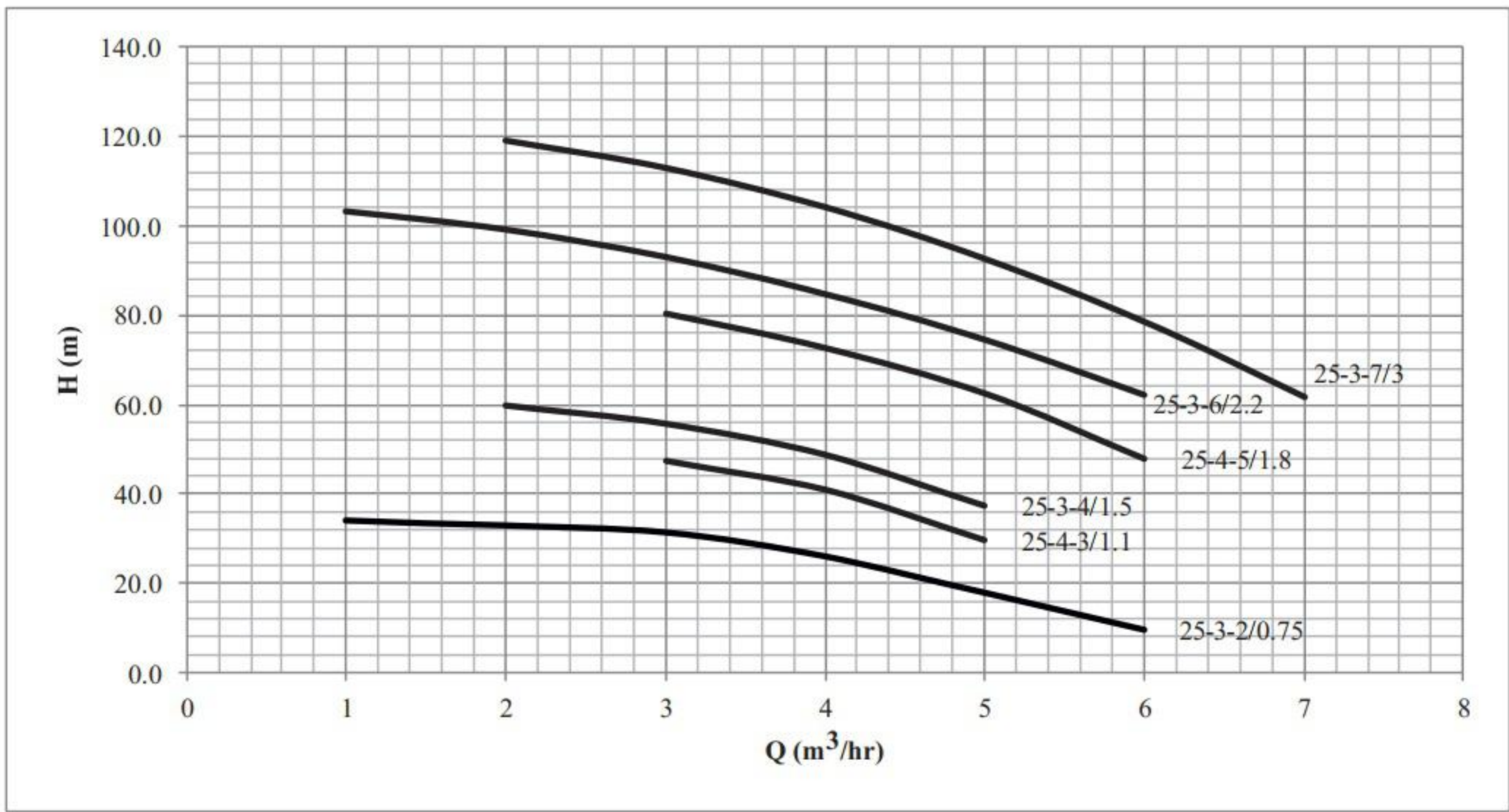
Performance Tables & Curves

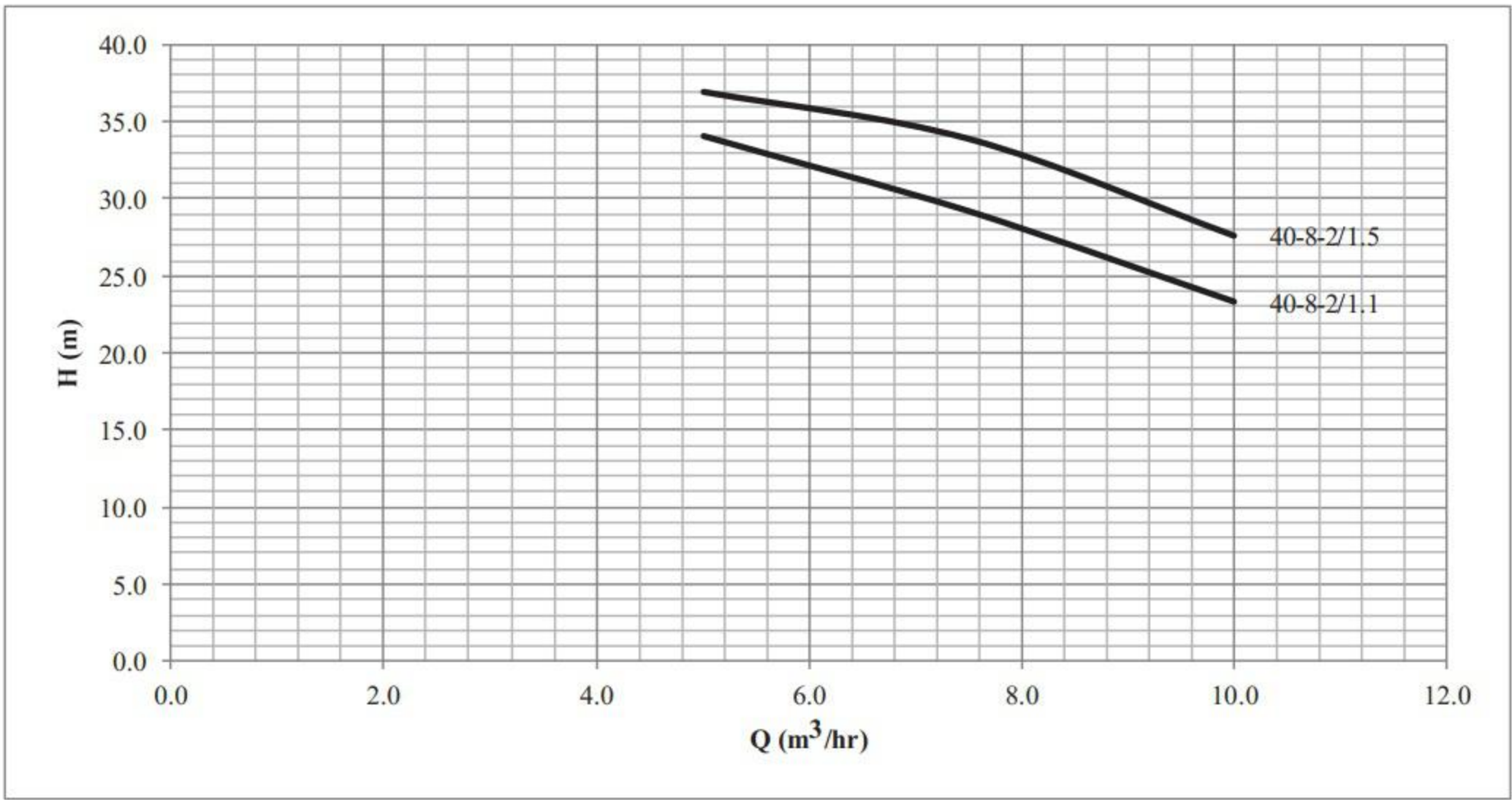
Model		Motor		Q (lit/min)	0	16	33	50	66	83	100	116
Single Phase	Three Phase	HP	kW	Q (m3/hr)	0	1	2	3	4	5	6	7
SMDA 25-3-2/0.75 M	SMDA 25-3-2/0.75 T	1.0	0.75	Head (m)	34.7	34.1	33.0	31.5	26.1	16.0	9.8	-
SMDA 25-4-3/1.1 M	SMDA 25-4-3/1.1 T	1.5	1.1		53.4	-	-	47.3	40.9	29.8	-	-
SMDA 25-3-4/1.5 M	SMDA 25-3-4/1.5 T	2.0	1.5		65.1	-	60.0	55.9	48.9	37.5	-	-
SMDA 25-4-5/1.8 M	SMDA 25-4-5/1.8 T	2.4	1.8		90.1	-	-	80.3	72.6	62.5	48.0	-
SMDA 25-3-6/2.2 M	SMDA 25-3-6/2.2 T	3.0	2.2		104.3	103.2	99.1	92.9	84.7	74.4	62.0	-
-	SMDA 25-3-7/3 T	4.0	3.0		122.5	-	118.9	112.8	104.0	92.5	78.4	61.6

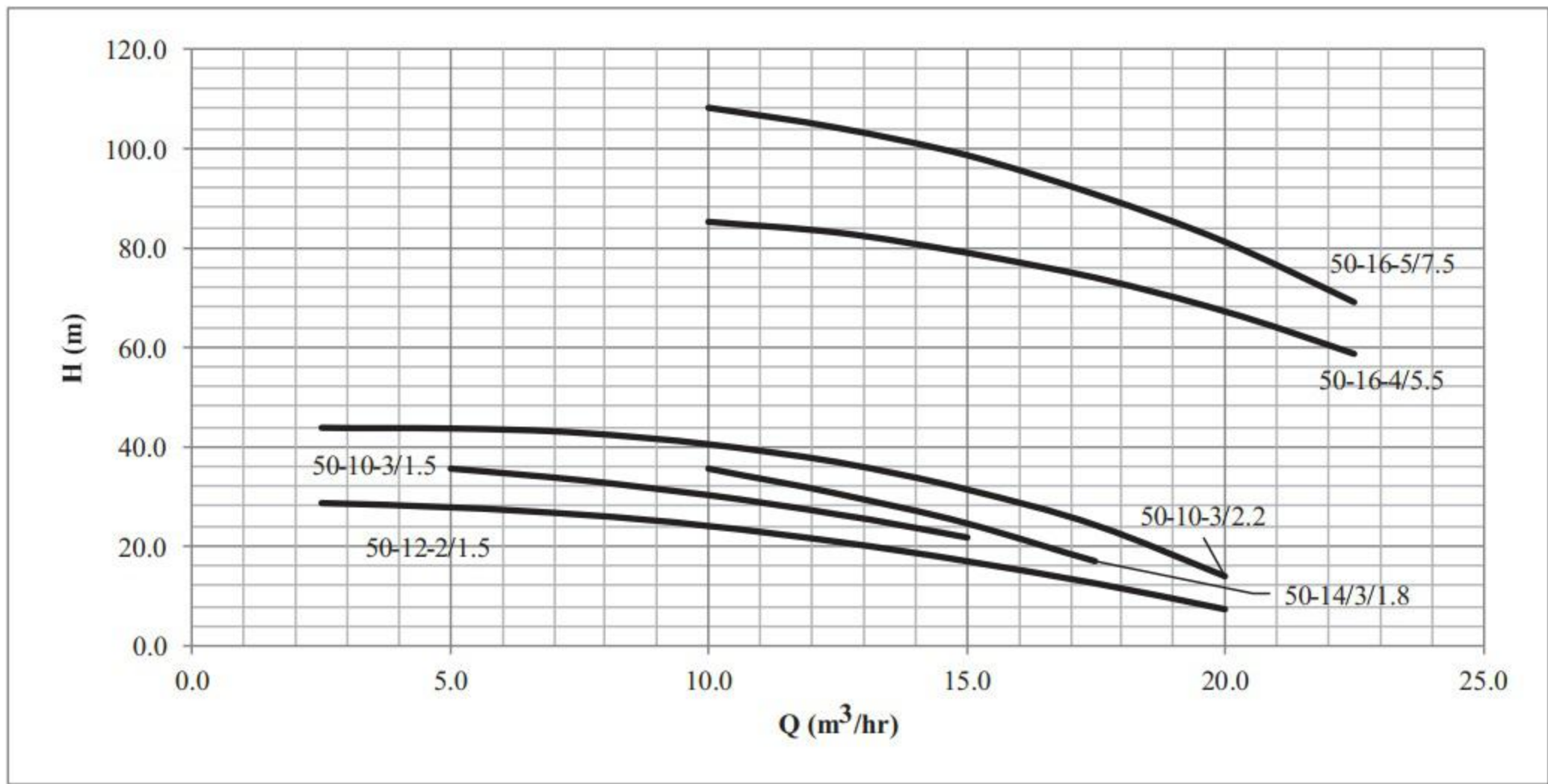
Model		Motor		Q (lit/min)	0	41	83	125	166
Single Phase	Three Phase	HP	kW	Q (m3/hr)	0.0	2.5	5.0	7.5	10.0
SMDA 40-8-2/1.1 M	SMDA 40-8-2/1.1 T	1.5	1.1	Head (m)	38.4	-	34.1	29.2	23.3
SMDA 40-8-2/1.5 M	SMDA 40-8-2/1.5 T	2.0	1.5		40.0	-	36.9	33.9	27.6

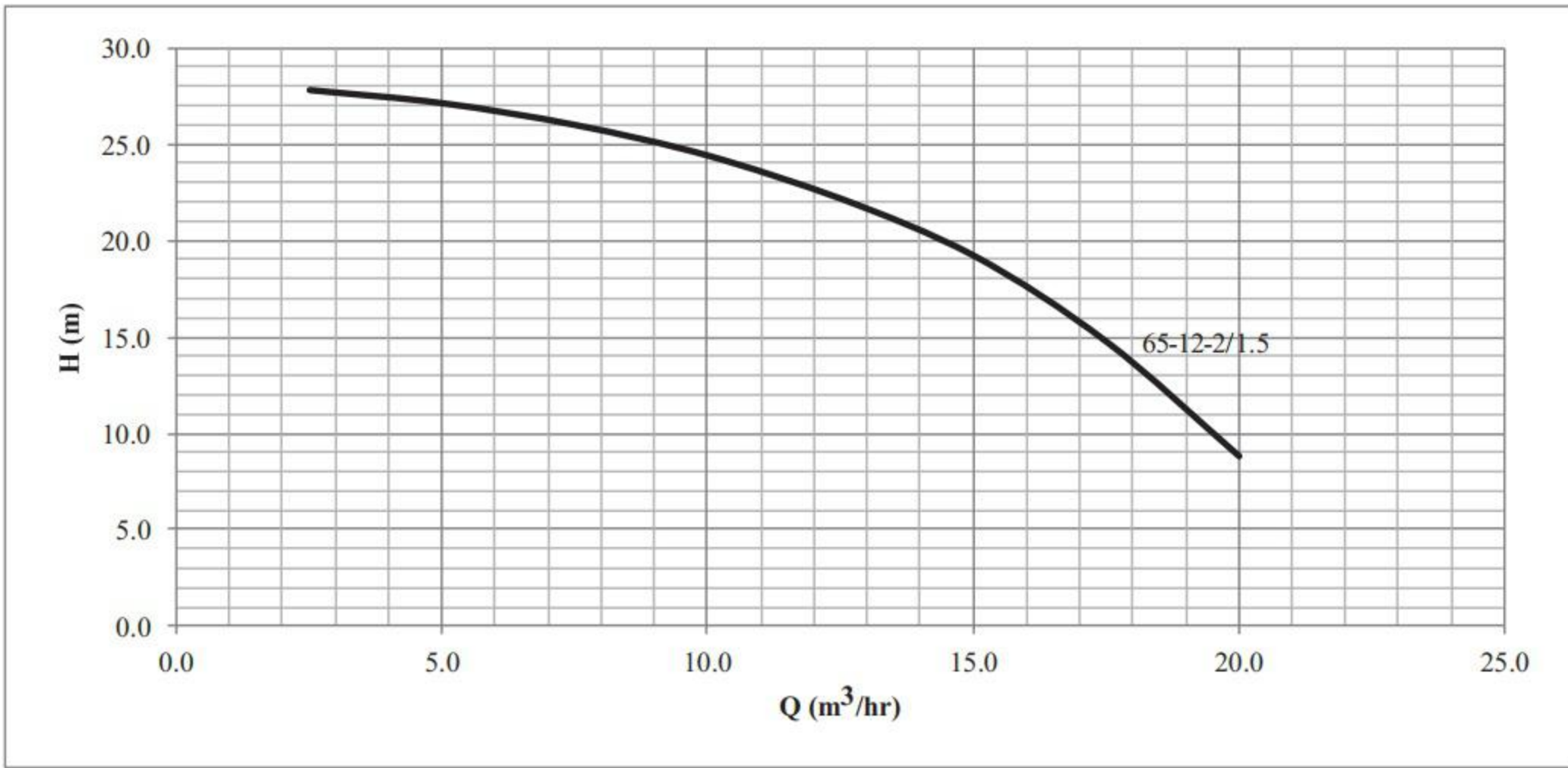
Model		Motor		Q (lit/min)	0	41	83	125	166	208	250	291	333	375
Single Phase	Three Phase	HP	kW	Q (m3/hr)	0.0	2.5	5.0	7.5	10.0	12.5	15.0	17.5	20.0	22.5
SMDA 50-12-2/1.5 M	SMDA 50-12-2/1.5 T	2.0	1.5	Head (m)	28.8	28.8	28.0	26.5	24.2	21.0	17.1	12.5	7.3	-
SMDA 50-10-3/1.5 M	SMDA 50-10-3/1.5 T	2.0	1.5		37.4	-	35.7	33.3	30.2	26.4	21.7	-	-	-
SMDA 50-14-3/1.8 M	SMDA 50-14-3/1.8 T	2.4	1.8		43.1	-	-	-	35.5	30.4	24.6	16.9	-	-
SMDA 50-10-3/2.2 M	SMDA 50-10-3/2.2 T	3.0	2.2		44.0	43.9	43.9	42.9	40.6	37.0	31.5	24.3	13.8	-
-	SMDA 50-16-4/5.5 T	7.5	5.5		88.2	-	-	-	85.2	83.1	79.1	74.0	67.3	58.7
-	SMDA 50-16-5/7.5 T	10	7.5		110.1	-	-	-	108.0	104.0	98.5	90.6	81.1	68.9

Model		Motor		Q (lit/min)	0	41	83	125	166	208	250	291	333
Single Phase	Three Phase	HP	kW	Q (m3/hr)	0.0	2.5	5.0	7.5	10.0	12.5	15.0	17.5	20.0
SMDA 65-12-2/1.5 M	SMDA 65-12-2/1.5 T	2.0	1.5	Head (m)	27.9	27.8	27.1	26.0	24.4	22.2	19.2	14.8	8.8



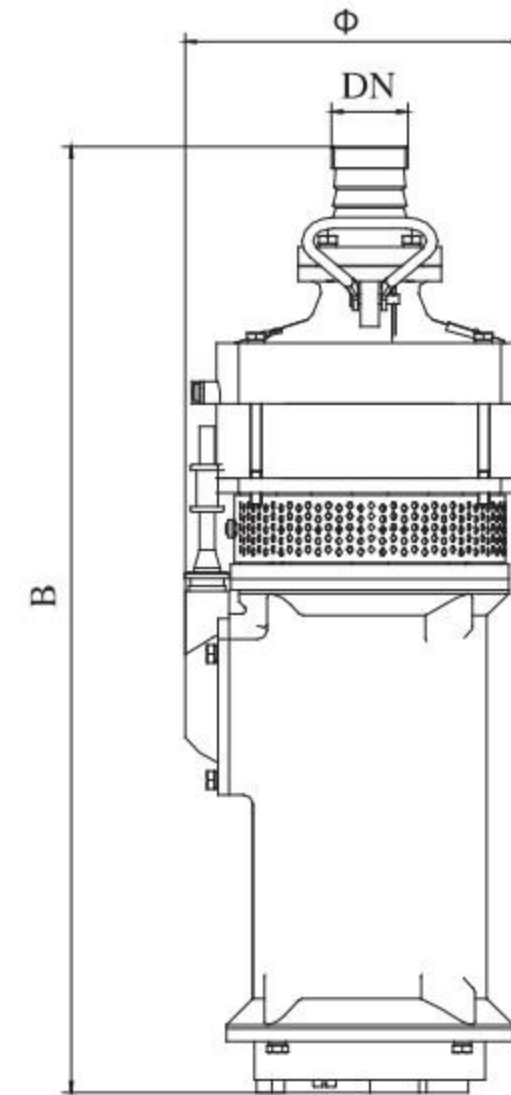






Dimensions & Weights

Model	Dim.(mm)			N.W. (kg)
	A	B	DN	
SMDA 25-3-2/0.75 M	192	488	25	22
SMDA 25-4-3/1.1 M	192	520	25	25
SMDA 40-8-2/1.1 M	200	475	40	25
SMDA 25-3-4/1.5 M	192	595	25	30
SMDA 40-8-2/1.5 M	200	520	40	28
SMDA 50-12-2/1.5 M	200	510	50	28
SMDA 50-10-3/1.5 M	200	555	50	30
SMDA 65-12-2/1.5 M	200	515	65	29
SMDA 25-4-5/1.8 M	195	667	25	37
SMDA 50-14-3/1.8 M	200	590	50	34
SMDA 25-3-6/2.2 M	195	735	25	41
SMDA 50-10-3/2.2 M	200	630	50	36
SMDA 25-3-2/0.75 T	192	470	25	20
SMDA 25-4-3/1.1 T	192	512	25	24
SMDA 40-8-2/1.1 T	200	470	40	25.5
SMDA 25-3-4/1.5 T	192	545	25	27
SMDA 40-8-2/1.5 T	200	470	40	26
SMDA 50-12-2/1.5 T	200	470	50	26
SMDA 50-10-3/1.5 T	199	505	50	28
SMDA 65-12-2/1.5 T	200	465	65	25
SMDA 25-4-5/1.8 T	195	630	25	33
SMDA 50-14-3/1.8 T	200	550	50	32
SMDA 25-3-6/2.2 T	195	660	25	36
SMDA 50-10-3/2.2 T	200	550	50	32
SMDA 25-3-7/3 T	195	731	25	42
SMDA 50-16-4/5.5 T	230	750	50	82
SMDA 50-16-5/7.5 T	230	825	50	95



Details & Extra Information

Model	Power		Rate Current (A)	Cable line (m)	Dim.mm (L×W×H)	G.W. (kg)
	kW	HP				
SMDA 25-3-2/0.75 M	0.75	1	5.2	15	495×220×235	24
SMDA 25-4-3/1.1 M	1.1	1.5	7.3	15	535×220×235	27
SMDA 40-8-2/1.1 M				15	535×220×235	27
SMDA 25-3-4/1.5 M	1.5	2	9.5	18	610×220×235	32
SMDA 40-8-2/1.5 M				18	580×220×235	30
SMDA 50-12-2/1.5 M				18	580×220×235	30
SMDA 50-10-3/1.5 M				18	610×220×235	33
SMDA 65-12-2/1.5 M				18	570×220×215	30
SMDA 25-4-5/1.8 M	1.8	2.5	11.4	15	705×220×273	41
SMDA 50-14-3/1.8 M				15	670×205×275	38
SMDA 25-3-6/2.2 M	2.2	3	13.8	15	770×220×273	45
SMDA 50-10-3/2.2 M				15	705×220×273	40
SMDA 25-3-2/0.75 T	0.75	1	2	15	495×220×235	22

SMDA 25-4-3/1.1 T	1.1	1.5	2.7	15	535×220×235	25
SMDA 40-8-2/1.1 T				15	535×220×235	24
SMDA 25-3-4/1.5 T	1.5	2	3.6	18	610×220×235	29
SMDA 40-8-2/1.5 T				18	580×220×235	27
SMDA 50-12-2/1.5 T				18	535×220×235	28
SMDA 50-10-3/1.5 T				18	610×220×235	30
SMDA 65-12-2/1.5 T				18	525×220×215	26
SMDA 25-4-5/1.8 T	1.8	2.5	4.3	15	705×220×273	37
SMDA 50-14-3/1.8 T				15	640×205×278	36
SMDA 25-3-6/2.2 T	2.2	3	5.1	15	705×220×273	40
SMDA 50-10-3/2.2 T				15	640×205×278	36
SMDA 25-3-7/3 T	3	4	6.7	15	770×220×273	46
SMDA 50-16-4/5.5 T	5.5	7.5	12.6	15	1050×295×335	91
SMDA 50-16-5/7.5 T	7.5	10	16.8	30	1190×295×320	105