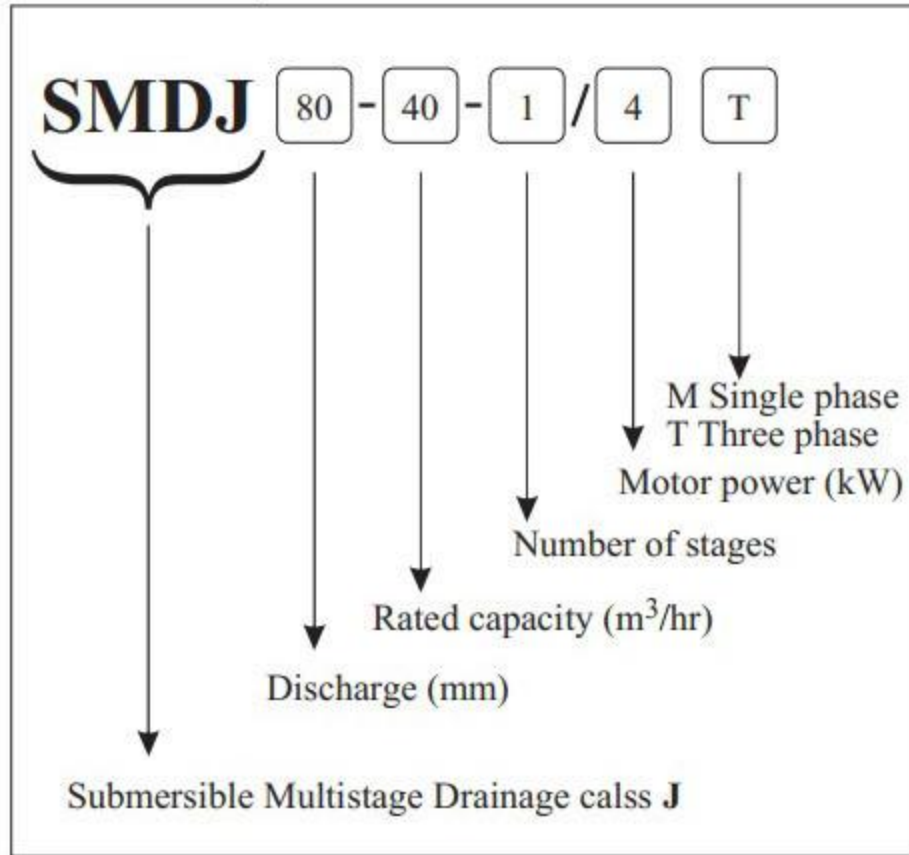


الکتروپمپ های کف کش طبقاتی چدنی (تولید داخل با برند **ABB**)
موارد مصرف : مصارف کشاورزی و آبیاری با فشار بالا، آبیاری بارانی، تامین آب از
چاه های عمیق و نیمه عمیق، پرورش ماهی و آبزیان دریایی

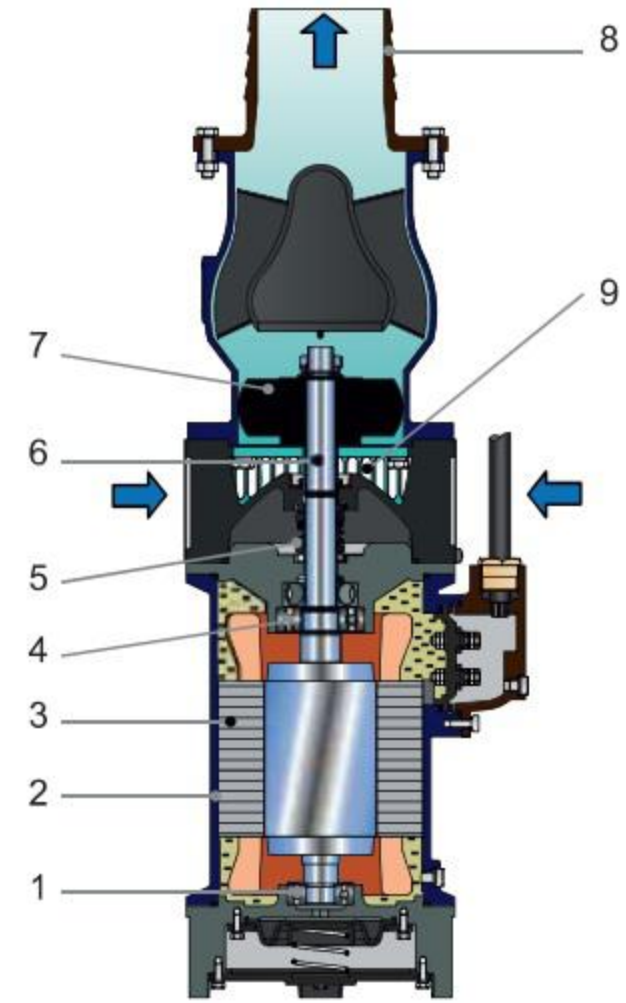
2850
rpm

Nomenclature



Pump schematic & Components

1	Lower Bearing
2	Motor Casing
3	Motor
4	Upper Bearing
5	Mechanical Seal
6	Motor Shaft
7	Impeller
8	Discharge
9	Fitter Screen



Submersible Pumps	S Series
Specification: SMDJ (Drainage Pump)	50 Hz

SMDJ			
PUMP	Liquid Handled	Type of Liquid	Clean Water & Dirty Water
		Max. Temp. (°C)	40 ⁰
		Max. Solids Size (mm)	0.2
		Max. Sand content	0.1%
		pH Level	6.5 - 8.5
	Submergence	Max (m)	5
		Min (m)	0.5
	Construction	Impeller	Closed
		Shaft seal type	Oil lubricated, single spring double mechanical seal
	Connection	Suction	Strainer
		Discharge (mm)	DN 50, 65, 80, 100
	Material	Casing	Cast iron
		Impeller	Cast iron
		Suction Cover	Stainless Steel
		Shaft	Stainless Steel
		Motor frame	Cast iron
		fasteners	Stainless Steel
		Mechanical Seal	Carbon/Ceramic/NBR Impeller Side Carbon/Ceramic/NBR Motor Side

Motor	Type		Oil filled dry submersible
	No. of poles		2
	Rotation Speed (r/min)		2850
	Insulation Class		F
	Protection Degree		IP 68
	Power Rating (kW)		2.2 - 22
	Frequency (Hz)		50 ± 5%
	Voltage (V)		380±10% up to 7.5 kW & (380-680)±10% for 11 to 22 kW
	Starting		DOL (up to 7.5 kW) Star-Delta (11 to 22 kW)
	Over Load Protection		Built in
	Cable	material	H07RN-F
		length (m)	7, 10, 15, 20, 25 or 30 (Additional information is provided in SMDJ model pages)
	Bearings		Permanently lubricated sealed ball bearing

Performance Curves & Tables

Model	Motor		Q (lit/min)	0	208	333	667	1333	2000	2667	3333	4000	4667	5333	6000	
	Three Phase	HP	kW	Q (m3/hr)	0.0	12.5	20	40	80	120	160	200	240	280	320	360
SMDJ 200-125-1/4 T	5.5	4.0	Head (m)	9.6	9.4	9.2	8.6	7.4	6.2	5	3.9	-	-	-	-	
SMDJ 200-180-1/5.5 T	7.5	5.5		9.9	-	-	-	-	7.4	6.5	5.3	3.8	-	-	-	-
SMDJ 200-240-1/7.5 T	10.0	7.5		19.2	-	-	-	-	-	-	8.7	7.0	5.5	-	-	-
SMDJ 200-120-1/7.5 T	10.0	7.5		16.2	-	-	15.3	14.2	12.8	11.1	8.8	5.4	-	-	-	-
SMDJ 200-160-1/15 T	20.0	15.0		29.4	-	-	27.7	25.6	23.3	20.7	17.8	14.6	10.9	6.9	-	-
SMDJ 200-180-1/18.5 T	25.0	18.5		33.1	-	-	31.6	29.8	27.5	25.1	22.1	18.9	15.6	11.8	7.8	-
SMDJ 200-160-1/22 T	30.0	22.0		38.5	-	-	37.6	36.1	34.0	31.3	28.1	24.4	20.2	15.3	-	-

Model	Motor		Q (lit/min)	0	333	667	1000	1333	1667	2000	2333	2667	3333	4000	4667	5333
	Three Phase	HP	kW	Q (m3/hr)	0	20	40	60	80	100	120	140	160	200	240	280
SMDJ 150-80-1/2.2 T	3.0	2.2	H (m)	5.5	5.4	5.3	5.1	5.0	4.9	4.4	4.1	3.6	-	-	-	-
SMDJ 150-130-1/3 T	4.0	3.0		9.7	-	-	-	6.8	5.9	5	4.1	3.8	-	-	-	-
SMDJ 150-100-1/3 T	4.0	3.0		7.6	7.7	7.6	7.3	6.8	6.4	5.7	4.8	3.8	-	-	-	-
SMDJT 150-125-1/4 T	5.5	4.0		10.4	-	9.5	8.9	8.3	7.8	7.1	6.1	4.9	3.9	-	-	-
SMDJ 150-70-1/4 T	5.5	4.0		14.1	13.8	13.1	11.9	10.5	8.8	6.3	4.2	-	-	-	-	-
SMDJ 150-120-1/5.5 T	7.5	5.5		9.7	-	9.3	9.1	8.7	8.3	7.8	7.4	6.9	5.8	4.1	-	-
SMDJ 150-70-1/5.5 T	7.5	5.5		19.0	18.6	17.5	16.5	15.0	12.6	9.4	4.6	-	-	-	-	-
SMDJ 150-120-1/7.5 T	10.0	7.5		17.2	-	15.0	14.4	13.3	12.7	11.5	10.8	9.5	7.2	4.9	-	-
SMDJ 150-60-1/7.5 T	10.0	7.5		25.2	24.8	24.0	22.7	20.4	16.3	6.5	-	-	-	-	-	-
SMDJ 150-160-1/11 T	15.0	11.0		25.3	-	-	-	-	-	18.9	16.7	14.5	9.2	-	-	-

SMDJ 150-120-1/15 T	20.0	15	39.6	-	37.6	35.9	34.2	32.2	29.2	27.1	23.4	15.6	7.2	-	-
SMDJ 150-120-1/18.5 T	25.0	18.5	42.8	-	41.2	40	38.2	36.3	33.9	31.2	28.2	20.7	11.8	-	-
SMDJ 150-70-1/18.5 T	25.0	18.5	53.0	52.8	51.9	50.9	49.5	45.8	37.5	22.6	-	-	-	-	-
SMDJ 150-160-1/22 T	30.0	22.0	38.3	-	36.7	36	34.9	34.2	32.6	31.5	30.0	27.1	23.6	20.2	16.5

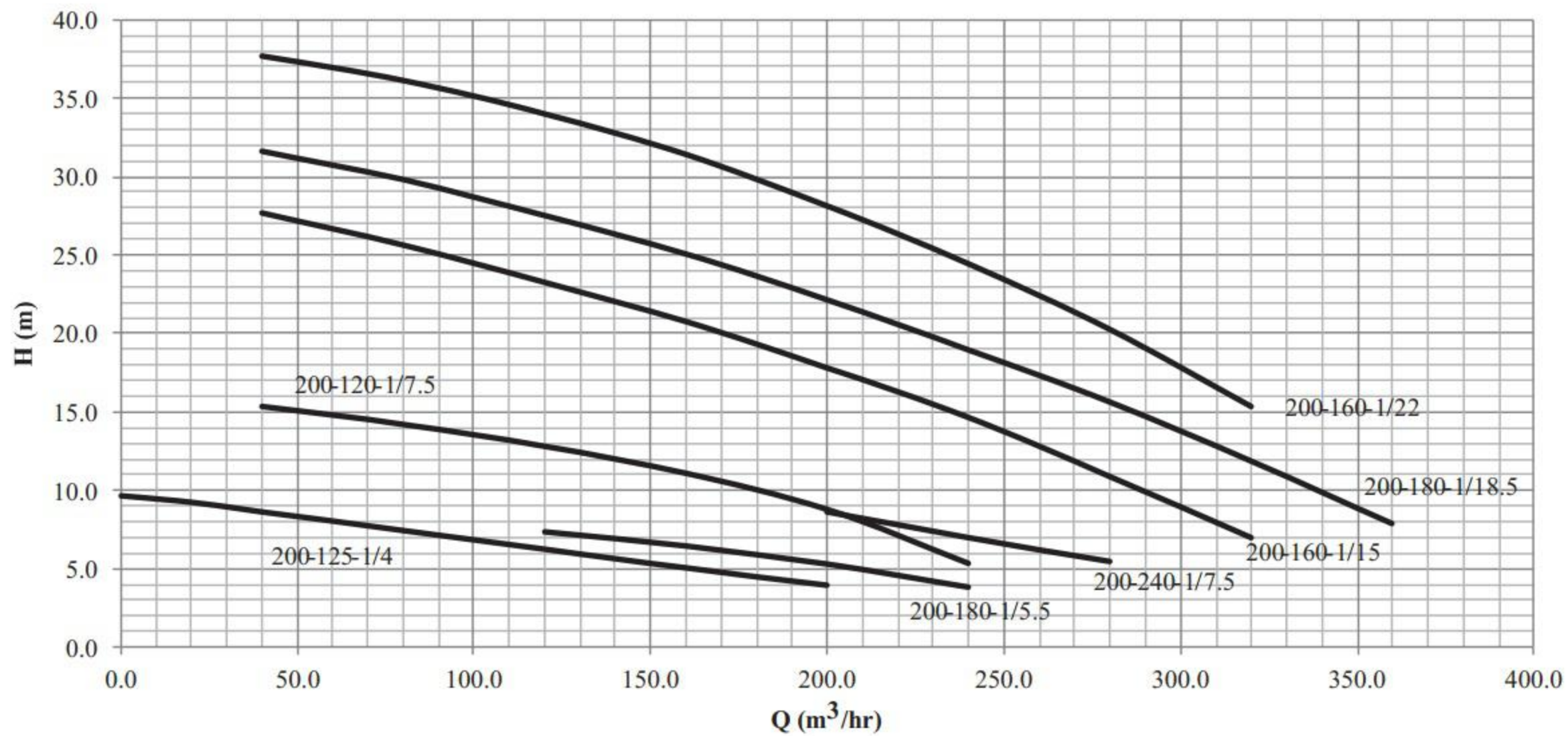
Model	Motor		Q (lit/min)	0	333	667	1000	1333	1667	2000	2333	2667
	HP	kW	Q (m3/hr)	0	20	40	60	80	100	120	140	160
SMDJ 100-45-1/2.2 T	3.0	2.2	H (m)	10.0	9.5	8.4	7.0	4.5	-	-	-	-
SMDJ 100-65-1/3 T	4.0	3.0		17.4	15.8	13.8	10.7	8.1	4	-	-	-
SMDJ 100-50-1/4 T	5.5	4.0		20.5	20	18.1	14.8	9.9	-	-	-	-
SMDJ 100-70-1/5.5 T	7.5	5.5		19.0	18.6	17.5	16.5	15.0	12.6	9.4	4.6	-
SMDJ 100-70-1/7.5 T	10.0	7.5		24	-	23.7	22.6	21.2	16.1	10.1	-	-
SMDJ 100-70-1/11 T	15.0	11.0		39.7	37.7	35.2	32.4	29.4	26.0	22.3	17.8	-
SMDJ 100-70-1/15 T	20.0	15.0		42.8	41.7	40.9	40.2	38.9	36.4	31.0	20.8	-

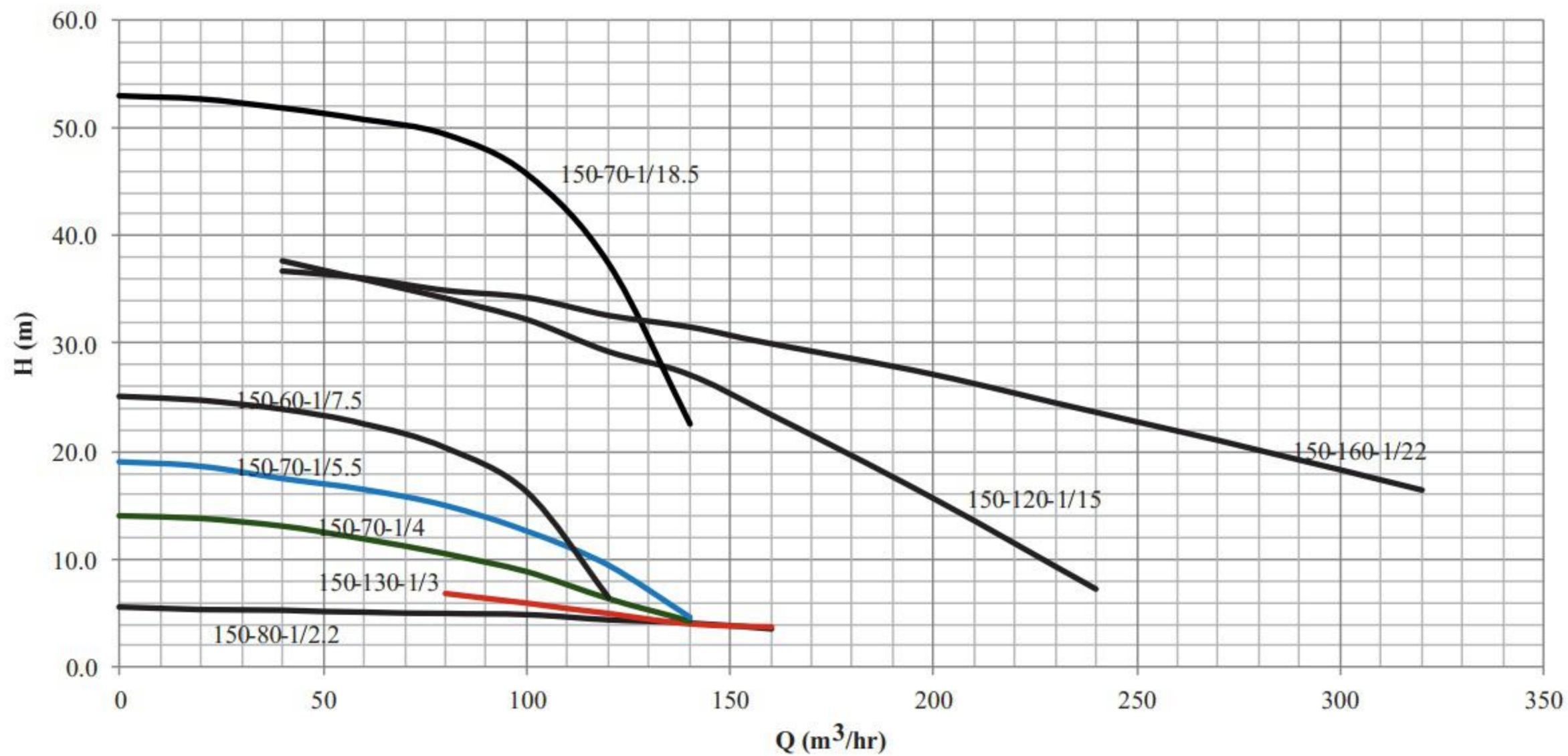
Model	Motor		Q (lit/min)	0	250	500	750	1000	1250	1500	1750	2000
Three Phase	HP	kW	Q (m3/hr)	0	15	30	45	60	75	90	105	120
SMDJ 100-60-1/7.5 T	10.0	7.5	H (m)	25.8	25.7	25.5	25.2	24.6	22.7	20.1	15.2	6.8
SMDJ 100-50-2/11 T	15.0	11.0		54.4	53.6	53.0	50.6	45.2	37.3	26.2	13.3	-
SMDJ 100-40-3/15 T	20.0	15.0		82.9	80.4	78.0	73.6	63.7	50.8	-	-	-
SMDJ 100-50-3/18.5 T	25.0	18.5		88.3	86.3	83.7	79.4	72.2	60.5	42.9	18.1	-
SMDJ 100-50-4/22 T	30.0	22.0		112.1	109.3	104.4	97.8	87.9	73.8	53.0	25.0	-

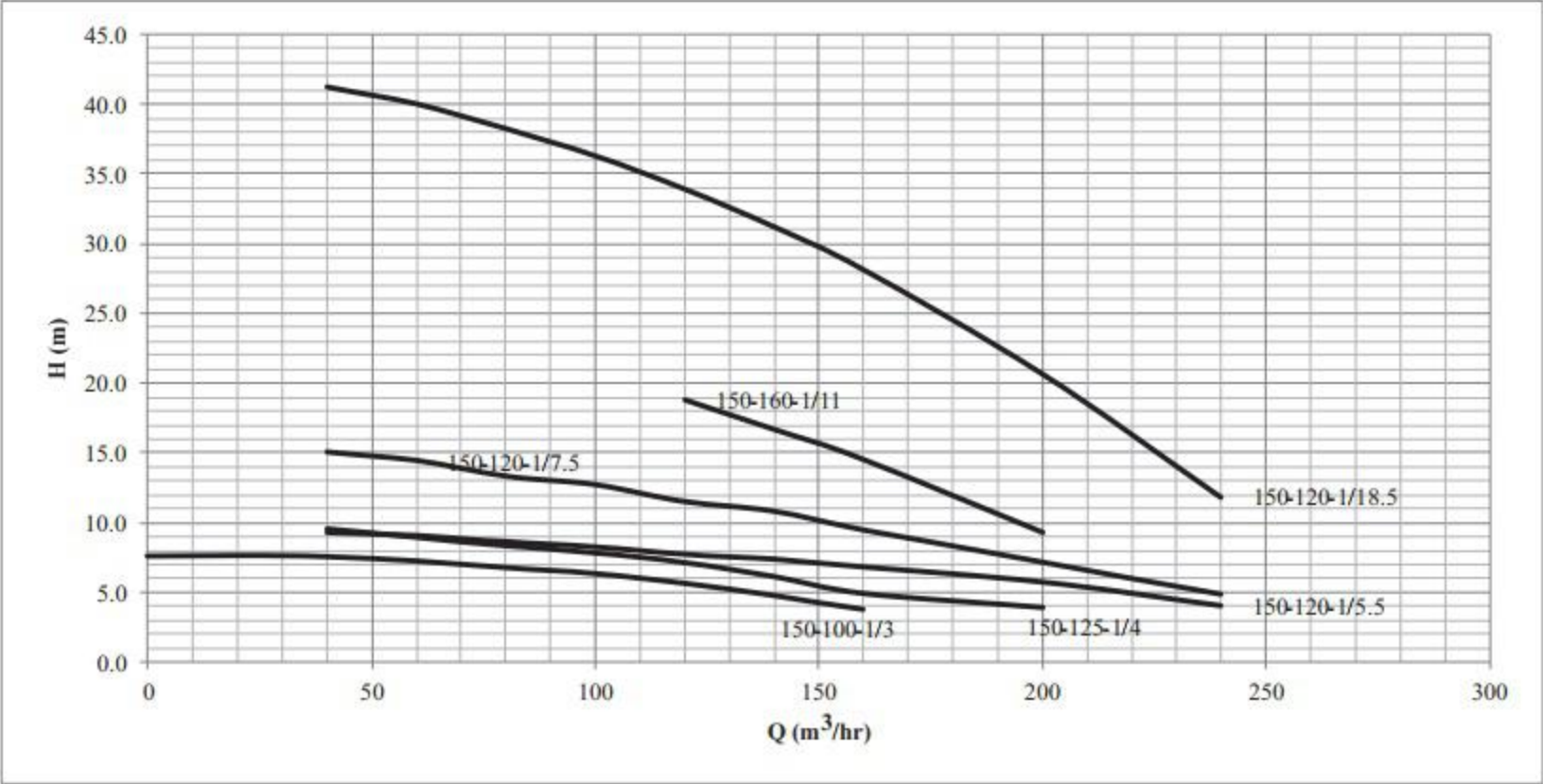
Model	Motor		Q (lit/min)	0	167	333	500	667	833	1000	1167	1333
Three Phase	HP	kW	Q (m3/hr)	0	10	20	30	40	50	60	70	80
SMDJ 80-25-1/3 T	4.0	3.0	H (m)	22.2	21.5	21	20.3	15.8	3.6	-	-	-
SMDJ 80-20-1/5.5 T	7.5	5.5		34.3	33.4	32.3	31	28.2	23.1	19	-	-
SMDJ 80-40-1/7.5 T	10.0	7.5		32.6	32.1	31.8	31.2	30.9	27.1	23.7	19.1	14.9
SMDJ 80-35-1/7.5 T	10.0	7.5		42.9	43.5	43.2	42.6	41.2	38.2	32.6	-	-
SMDJ 80-50-2/11 T	15.0	11		66.2	-	-	62.3	57.8	50.1	40.7	27.1	-
SMDJ 80-38-3/15 T	20.0	15		96.2	-	-	91.5	86.2	76.8	-	-	-
SMDJ 80-32-3/22 T	30.0	22		124.7	121.1	118.3	117.4	112.2	102.4	85.2	-	-

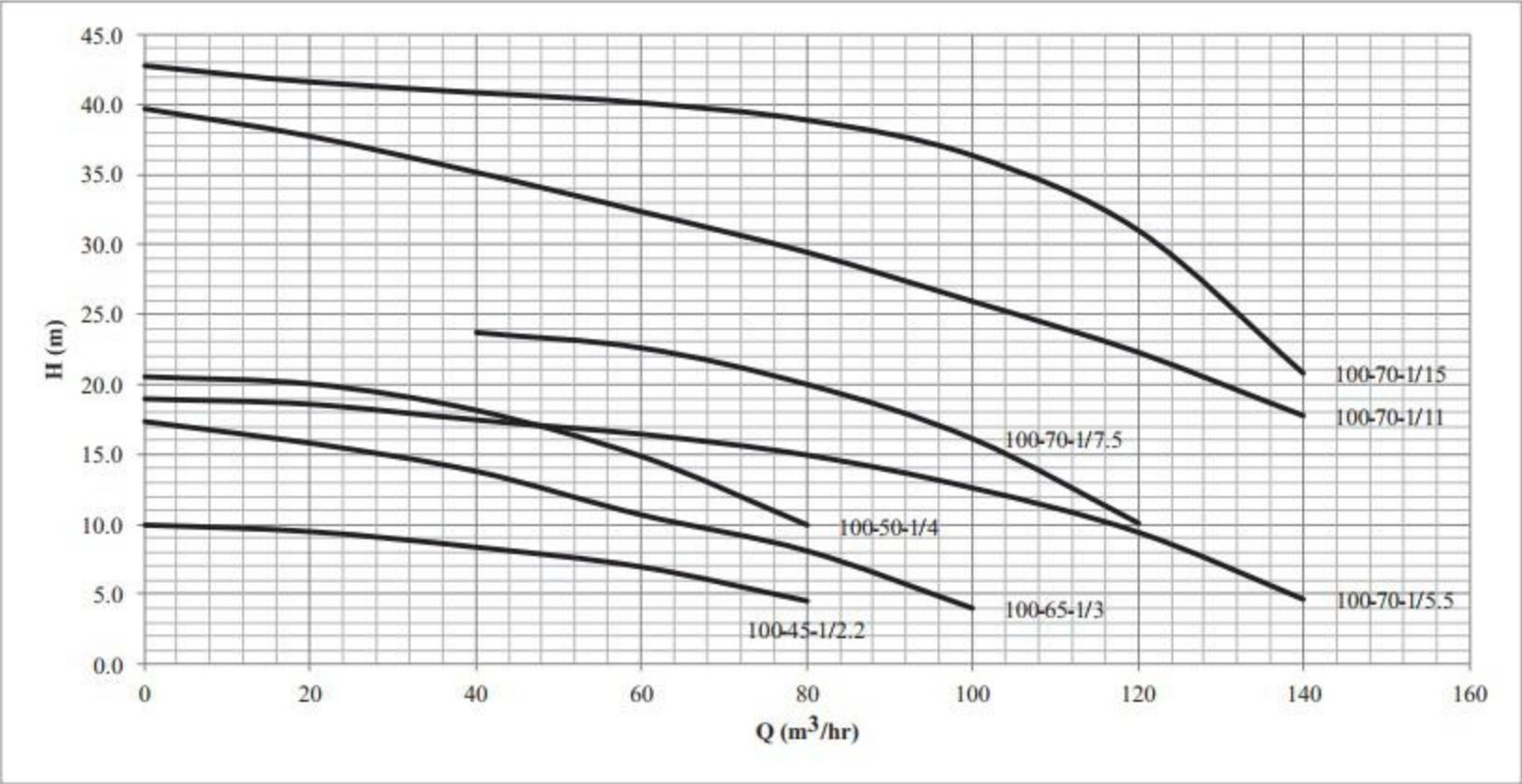
Model	Motor		Q (lit/min)	0	83	166	250	333	416	500	583	666	750	833
	HP	kW	Q (m3/hr)	0	5	10	15	20	25	30	35	40	45	50
SMDJ 65-25-1/3 T	4.0	3.0	H (m)	27.8	27.3	27.1	26.6	26.2	25.6	23.9	20.7	16.9	11.3	-
SMDJ 65-20-1/3.7 T	5.0	3.7		31.3	31.1	31.0	30.8	30.6	30.3	29.7	28.0	25.1	20.2	-
SMDJ 65-20-2/4 T	5.5	4.0		48.7	48.4	47.1	45.1	42.4	38.3	32.1	22.7	11.7	-	-
SMDJ 65-28-4/5.5 T	7.5	5.5		89.0	-	83.7	71.8	54.3	30.2	-	-	-	-	-
SMDJ 65-45-1/5.5 T	7.5	5.5		65.9	-	-	-	-	-	-	-	44.0	37.6	31.6
SMDJ 65-27-4/7.5 T	10.0	7.5		95.0	-	-	87.5	78.3	-	-	-	-	-	70.6
SMDJ 65-25-4/7.5 T	10.0	7.5		102.0	-	-	95.5	87.1	76.7	-	-	-	-	-
SMDJ 65-22-2/7.5 T	10.0	7.5		65.8	-	64.3	63	59.2	56.9	54.8	49.5	-	-	-
SMDJ 65-32-3/11 T	15.0	11		100.4	-	-	-	-	88.9	83.8	76.3	68.2	-	-
SMDJ 65-25-6/11 T	15.0	11		139.0	-	-	128.0	116.3	94.0	-	-	-	-	-
SMDJ 65-22-6/11 T	15.0	11		154.0	-	151.0	143.5	131.0	-	-	-	-	-	-
SMDJ 65-28-4/15 T	20.0	15		134.0	-	-	-	129.1	121.2	113.2	102.9	-	-	-
SMDJ 65-25-4/18.5 T	25.0	18.5		148.2	-	-	143.8	137.9	130.3	120.9	109.4	-	-	-
SMDJ 65-28-4/22 T	30.0	22		187.2	-	-	182.9	179.3	171.1	162.8	122.4	-	-	-

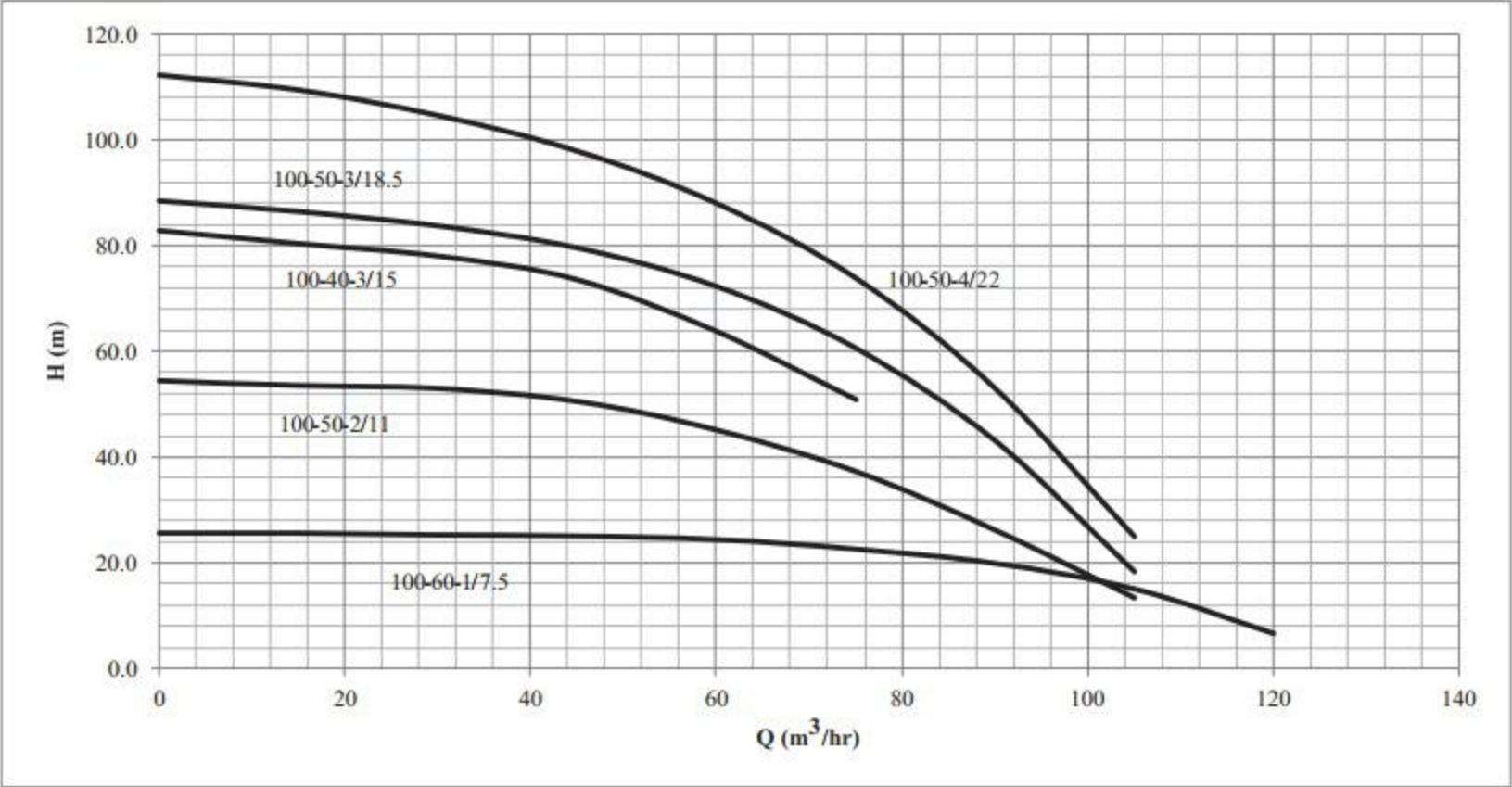
Model	Motor		Q (lit/min)	0	83	125	166	250	333	416	500	583	666	750	833
	HP	kW	Q (m3/hr)	0.0	5.0	7.5	10.0	15.0	20.0	25.0	30.0	35.0	40.0	45.0	50.0
SMDJ 50-20-1/2.2 T	3.0	2.2	H (m)	29.7	28.7	28.0	27.1	25.3	23.3	20.6	17.6	13.5	8.4	-	-
SMDJ 50-20-1/3 T	4.0	3.0		39.1	39.1	38.7	38.3	36.5	33.6	28.5	20.3	14.0	6.9	-	-
SMDJ 50-5-3/3 T	4.0	3.0		60.6	56.9	53.6	50.0	-	-	-	-	-	-	-	-
SMDJ 50-20-2/4 T	5.5	4.0		53.7	53.6	52.9	52.1	49.9	46.6	41.8	35.6	27.5	15.7	-	-
SMDJ 50-5-2/4 T	5.5	4.0		61.9	60.3	58.5	55.1	-	-	-	-	-	-	-	-
SMDJ 50-12-3/5.5 T	7.5	5.5		82.9	-	82.4	81.9	74.0	-	-	-	-	-	-	-
SMDJ 50-12-4/7.5 T	10.0	7.5		82.9	-	82.5	82.1	74.1	-	-	-	-	-	-	-
SMDJ 50-12-6/11 T	15.0	11		113.3	-	112.2	109.8	101.9	-	-	-	-	-	-	-
SMDJ 50-30-8/18.5 T	25.0	18.5		209.7	-		203.3	195.8	178.0	143.5	92.7	-	-	-	-

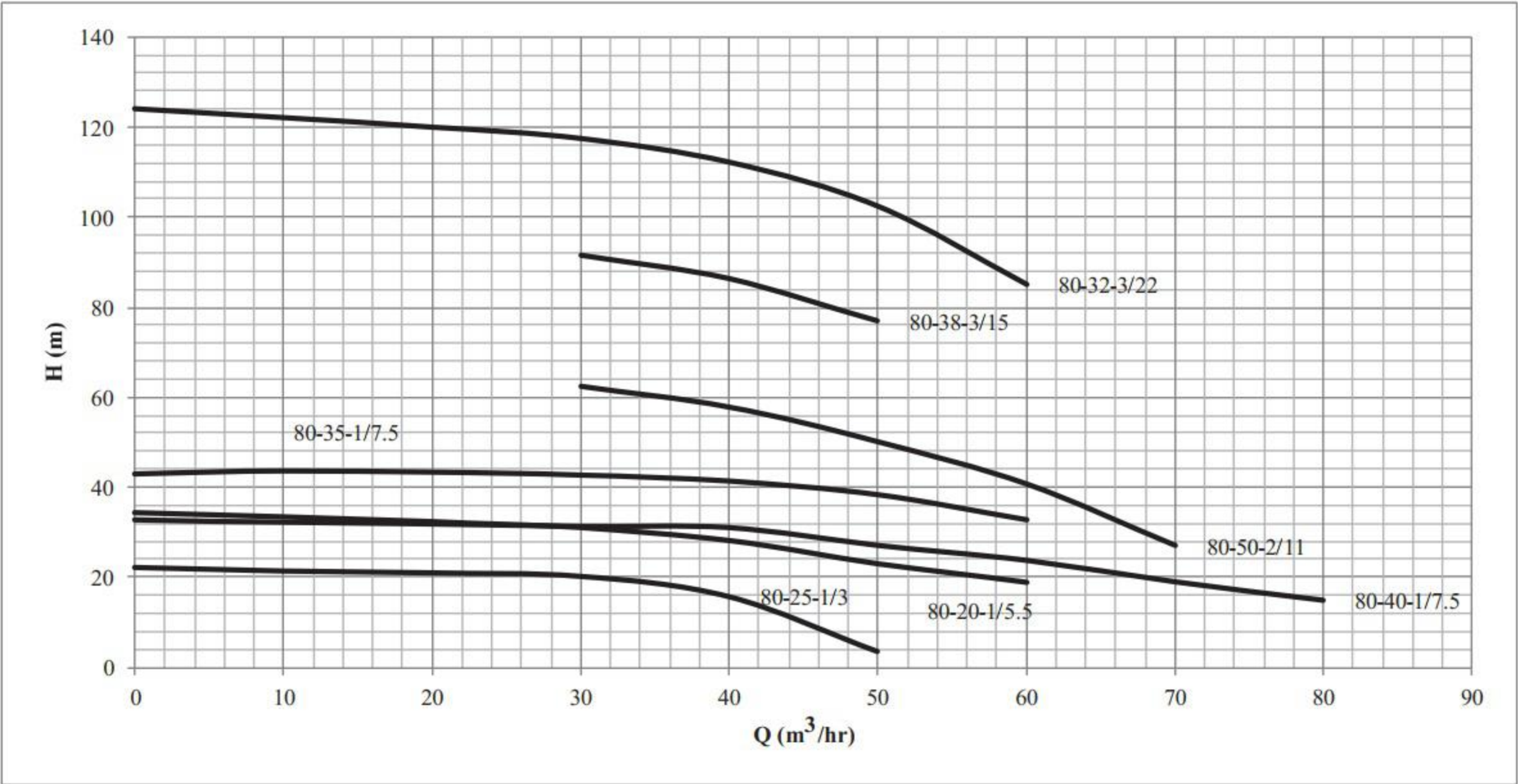


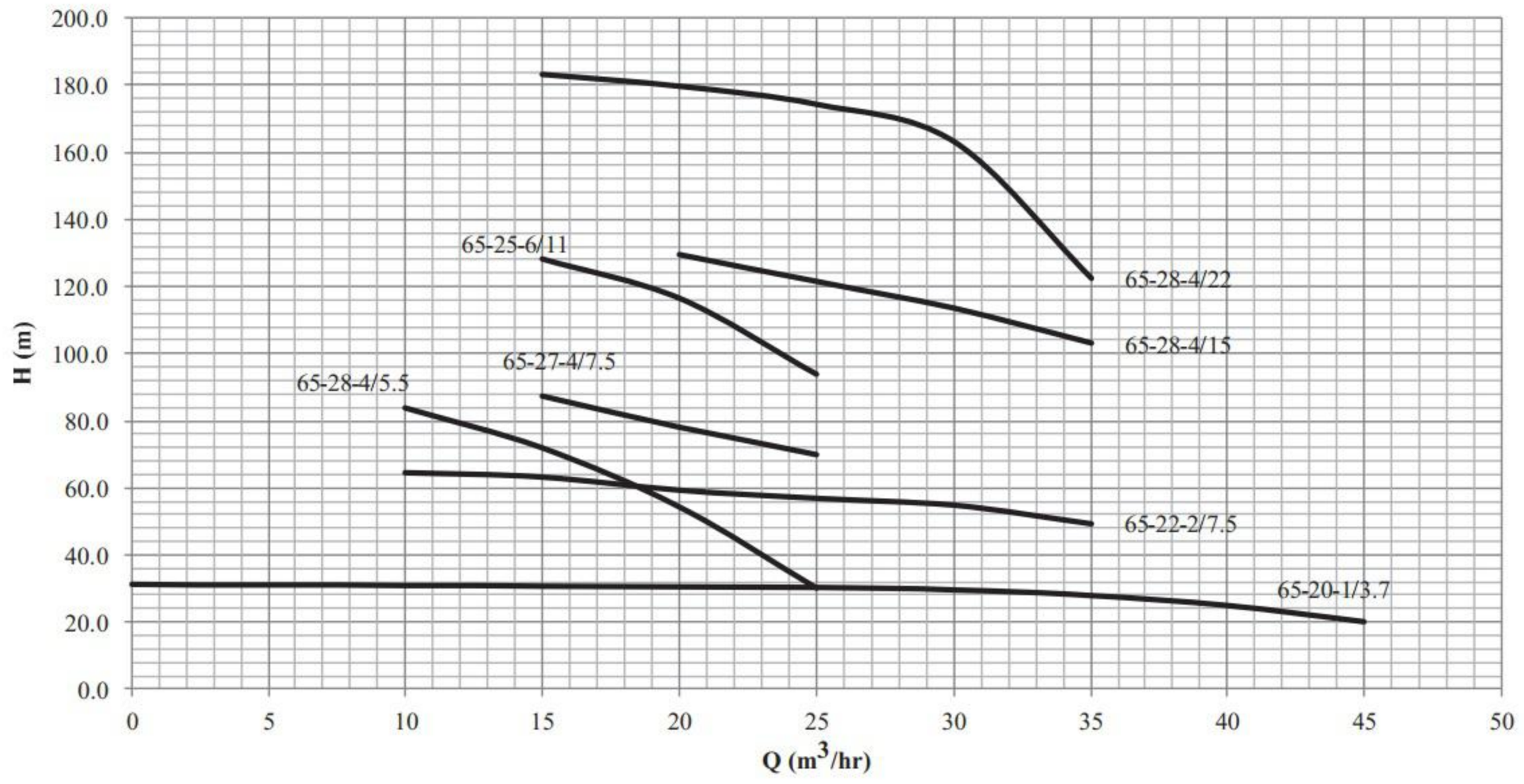


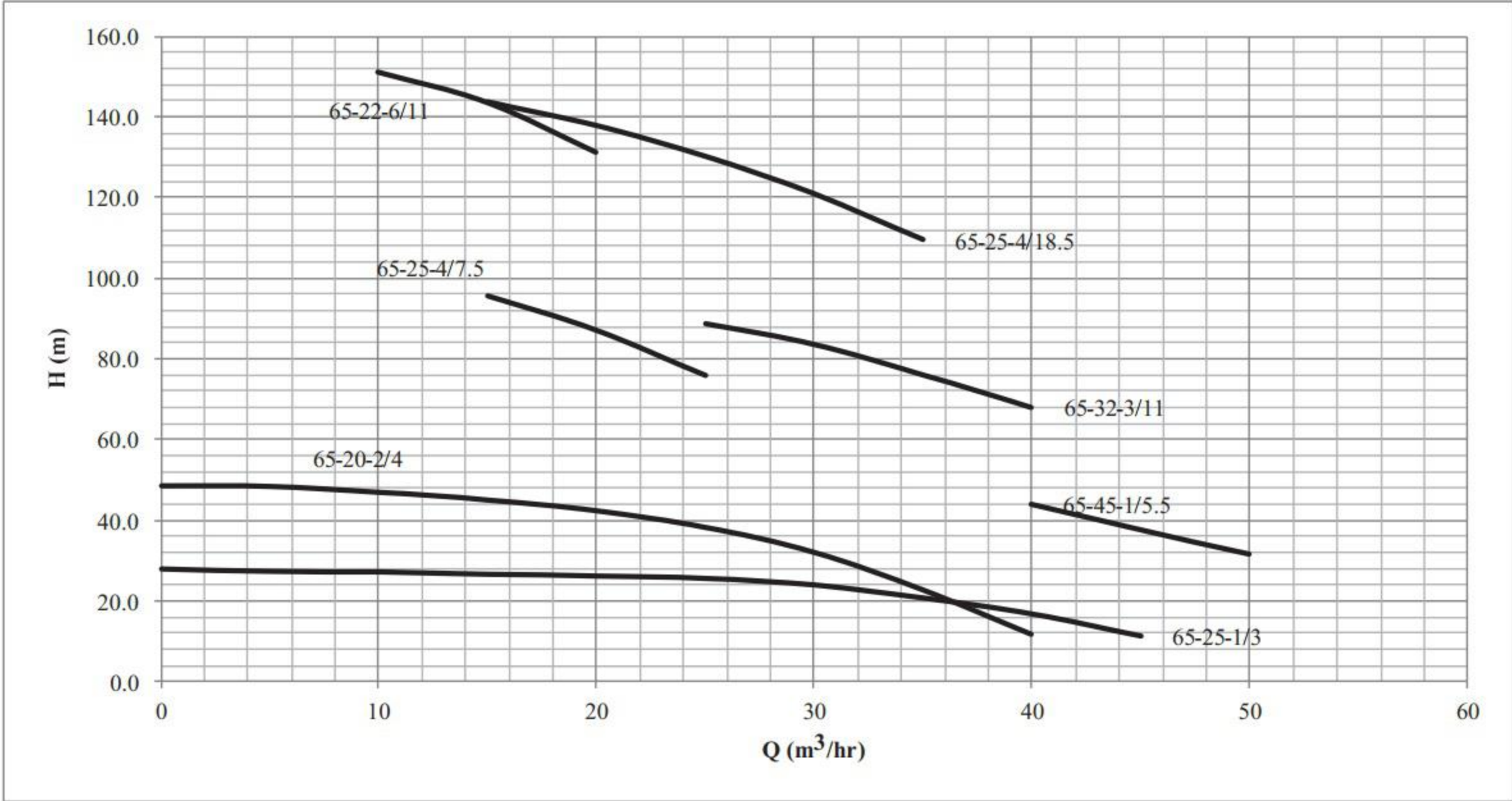


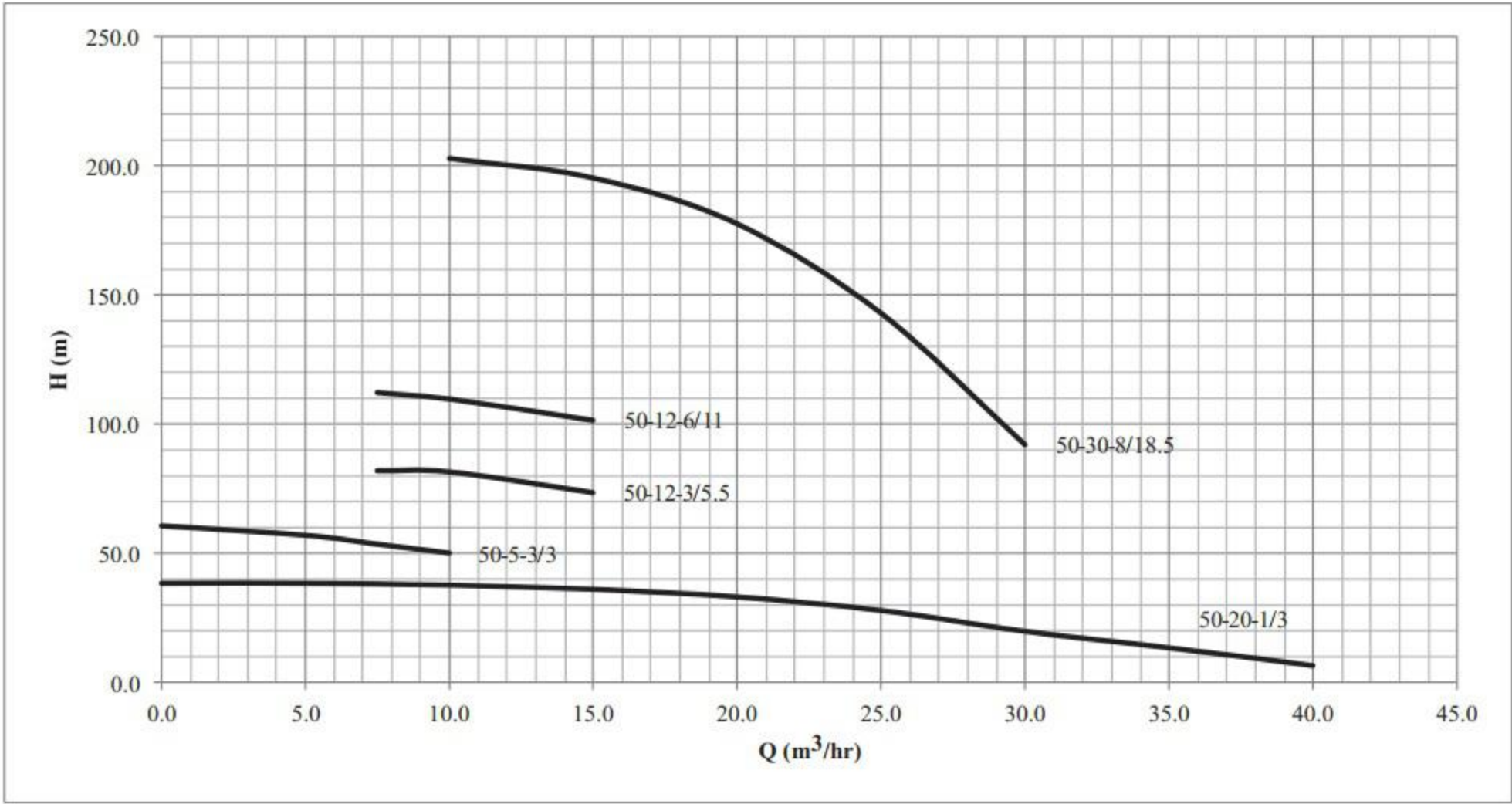


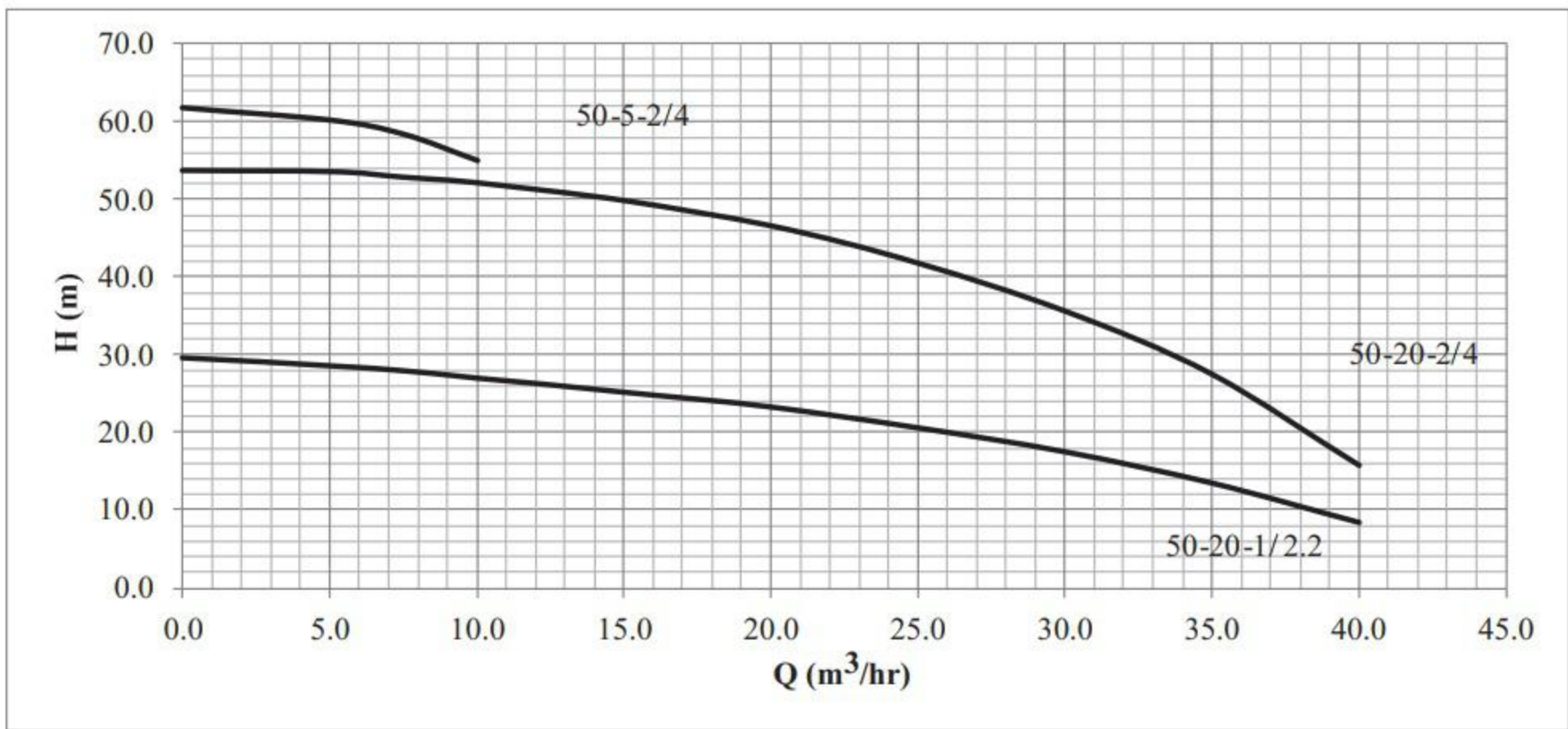






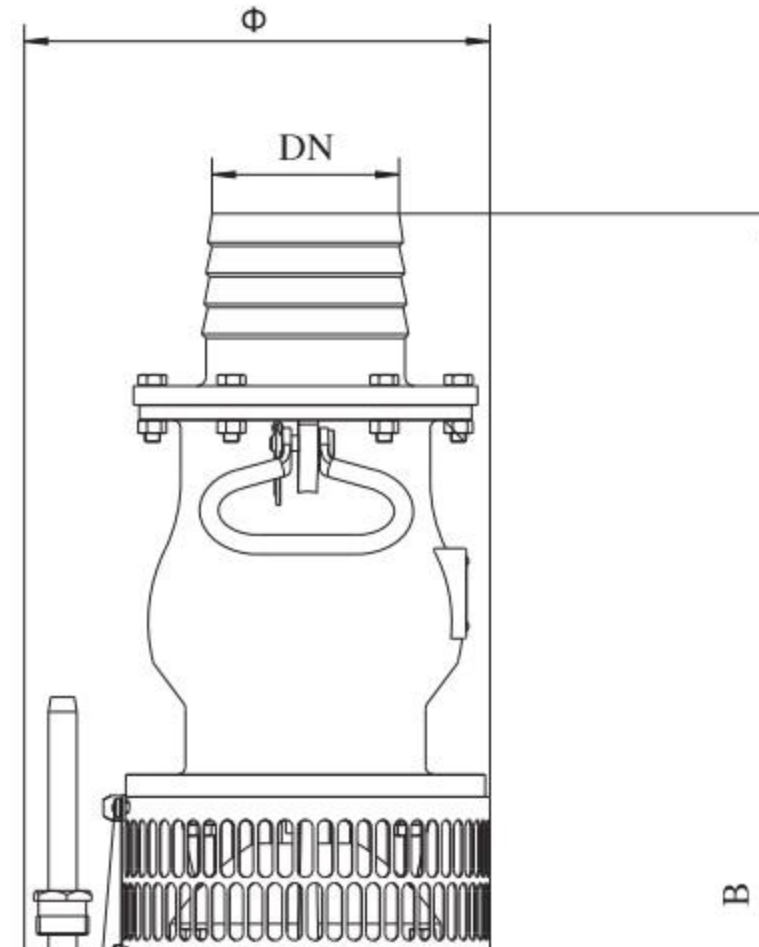




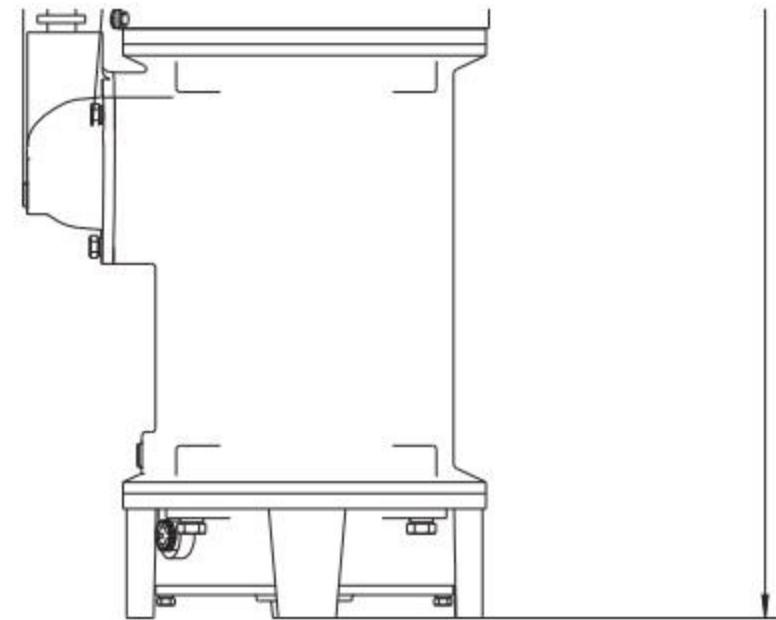


Dimensions & Weights

Model	Dim.(mm)			N.W. (kg)
	Ø	B	DN	
SMDJ 50-20-1/2.2 T	265	570	50	44
SMDJ 65-25-1/2.2 T	255	550	65	44
SMDJ 100-45-1/2.2 T	240	605	100	46
SMDJ 150-80-1/2.2 T	240	580	150	44
SMDJ 50-5-3/3 T	245	700	50	61
SMDJ 50-20-1/3 T	290	595	50	53
SMDJ 65-25-1/3 T	265	585	65	49
SMDJ 80-25-1/3 T	265	600	80	49
SMDJ 100-65-1/3 T	240	630	100	48
SMDJ 150-100-1/3 T	240	690	150	50
SMDJ 150-130-1/3 T	245	685	150	51
SMDJ 65-20-1/3.7 T	270	625	65	59
SMDJ 50-5-2/4 T	270	670	50	66
SMDJ 50-20-2/4 T	270	680	50	62
SMDJ 65-20-2/4 T	270	675	65	64
SMDJ 80-25-1/4 T	265	635	80	55
SMDJ 100-50-1/4 T	280	675	100	59
SMDJ 150-70-1/4 T	255	695	150	61
SMDJ 150-125-1/4 T	250	725	150	54
SMDJ 200-125-1/4 T	250	740	200	60
SMDJ 50-12-3/5.5 T	265	960	50	106
SMDJ 65-28-4/5.5 T	265	805	65	95



SMDJ 65-45-1/5.5 T	265	675	65	77
SMDJ 80-20-1/5.5 T	265	680	80	79
SMDJ 100-70-1/5.5 T	265	720	100	84
SMDJ 150-70-1/5.5 T	265	750	150	86
SMDJ 150-120-1/5.5 T	265	770	150	81
SMDJ 200-180-1/5.5 T	265	785	200	85
SMDJ 50-12-4/7.5 T	265	1060	50	147
SMDJ 65-25-4/7.5 T	275	1065	65	128
SMDJ 65-27-4/7.5 T	275	1065	65	128
SMDJ 65-22-2/7.5 T	290	815	65	101
SMDJ 80-35-1/7.5 T	265	725	80	86
SMDJ 80-40-1/7.5 T	295	750	80	90
SMDJ T 100-60-1/7.5 T	265	750	100	95
SMDJ 100-70-1/7.5 T	265	750	100	95
SMDJ T 150-60-1/7.5 T	265	785	150	99
SMDJ 150-120-1/7.5 T	265	885	150	104
SMDJ T 200-120-1/7.5 T	265	900	200	104
SMDJ 200-240-1/7.5 T	275	1305	200	91
SMDJ 50-12-6/11 T	265	1200	50	151
SMDJ 65-22-6/11 T	265	1205	65	153
SMDJ 65-25-6/11 T	265	1205	65	151



SMDJ 65-32-3/11 T	290	915	65	122
SMDJ 80-50-2/11 T	290	825	80	107
SMDJ 100-50-2/11 T	305	885	100	111
SMDJ 100-70-1/11 T	265	820	100	104
SMDJ 150-160-1/11 T	280	890	150	98
SMDJ 65-28-4/15 T	325	1180	65	194
SMDJ 80-38-3/15 T	325	990	80	173
SMDJ 100-40-3/15 T	325	1085	100	177
SMDJ 100-70-1/15 T	340	910	100	157
SMDJ 150-120-1/15 T	350	960	150	162
SMDJ 200-160-1/15 T	320	1075	200	161
SMDJ 50-30-8/18.5 T	320	1480	50	249

Model	Dim.(mm)			N.W. (kg)
	Ø	B	DN	
SMDJ 65-25-4/18.5 T	325	1220	65	203
SMDJ 100-50-3/18.5 T	325	1125	100	192
SMDJ 150-70-1/18.5 T	340	950	150	170
SMDJ 150-120-1/18.5 T	350	1000	150	176
SMDJ 200-180-1/18.5 T	320	1115	200	176
SMDJ 65-28-4/22 T	325	1320	65	259
SMDJ 80-32-3/22 T	325	1270	80	232
SMDJ 100-50-4/22 T	325	1240	100	223
SMDJ 150-160-1/22 T	320	1145	150	188
SMDJ 200-160-1/22 T	320	1145	200	188

Details & Extra Information

Model	Power		Rate Current (A)	Cable line (m)	Dim.mm (L×W×H)	G.W. (kg)
	kW	HP				
SMDJ 50-20-1/2.2 T	2.2	3	5.4	20	630×260×315	48
SMDJ 65-25-1/2.2 T				15	630×260×315	48
SMDJ 100-45-1/2.2 T				7	685×235×290	49
SMDJ 150-80-1/2.2 T				7	665×240×290	47
SMDJ 50-5-3/3 T	3	4	7.2	33	760×260×335	65
SMDJ 50-20-1/3 T				25	660×290×345	57
SMDJ 65-25-1/3 T				25	665×270×320	53
SMDJ 80-25-1/3 T				15	665×270×320	53
SMDJ 100-65-1/3 T				10	695×235×290	52
SMDJ 150-100-1/3 T				7	770×230×295	54
SMDJ 150-130-1/3 T				7	770×230×295	55
SMDJ 65-20-1/3.7 T	3.7	5	8.7	15	620×295×310	63

SMDJ 50-5-2/4 T	4	5.5	9.3	30	760×270×350	71
SMDJ 50-20-2/4 T				20	760×270×350	67
SMDJ 65-20-2/4 T				20	760×270×350	69
SMDJ 80-25-1/4 T				10	710×270×315	60
SMDJ 100-50-1/4 T				10	770×305×330	64
SMDJ 150-70-1/4 T				7	780×255×315	66
SMDJ 150-125-1/4 T				7	840×230×300	59
SMDJ 200-125-1/4 T				25	840×230×300	65
SMDJ 50-12-3/5.5 T				5.5	7.5	12.6
SMDJ 65-28-4/5.5 T	20	935×320×370	99			
SMDJ 65-45-1/5.5 T	15	775×340×395	81			
SMDJ 80-20-1/5.5 T	15	770×335×385	83			
SMDJ 100-70-1/5.5 T	15	845×295×380	90			
SMDJ 150-70-1/5.5 T	7	845×295×380	92			
SMDJ 150-120-1/5.5 T	7	885×295×380	87			
SMDJ 200-180-1/5.5 T	30	885×295×380	91			
SMDJ 50-12-4/7.5 T						
SMDJ 65-25-4/7.5 T				25	1155×310×380	136
SMDJ 65-27-4/7.5 T				25	1155×310×380	136
SMDJ 65-22-2/7.5 T				20	920×335×385	107
SMDJ 80-35-1/7.5 T				25	820×345×395	86

SMDJ 80-40-1/7.5 T	7.5	10	16.8	15	845×340×390	90
SMDJ T 100-60-1/7.5 T				15	845×295×380	101
SMDJ 100-70-1/7.5 T				15	845×295×380	101
SMDJ T 150-60-1/7.5 T				15	885×295×380	105
SMDJ 150-120-1/7.5 T				10	990×295×380	111
SMDJ T 200-120-1/7.5 T				10	990×295×380	111
SMDJ 200-240-1/7.5 T				7	950×310×385	97

Model	Power		Rate Current	Cable line (m)	Dim.mm (L×W×H)	G.W. (kg)
	kW	HP				
SMDJ 50-12-6/11 T	11	15	24.3	35	1285×310×380	161
SMDJ 65-22-6/11 T				30	1295×305×375	161
SMDJ 65-25-6/11 T				30	1300×310×380	161
SMDJ 65-32-3/11 T				25	1050×330×400	129
SMDJ 80-50-2/11 T				25	920×335×385	113
SMDJ 100-50-2/11 T				20	980×340×390	117
SMDJ 100-70-1/11 T				15	910×365×385	110
SMDJ 150-160-1/11 T				10	980×315×390	105
SMDJ 65-28-4/15 T				15	20	30
SMDJ 80-38-3/15 T	25	1120×340×420	183			
SMDJ 100-40-3/15 T	25	1215×340×420	188			
SMDJ 100-70-1/15 T	20	1020×400×460	167			
SMDJ 150-120-1/15 T	15	1070×420×480	172			
SMDJ 200-160-1/15 T	10	1185×340×440	171			

SMDJ 50-30-8/18.5 T	18.5	25	40.4	35	1615×340×420	262
SMDJ 65-25-4/18.5 T				30	1355×340×420	215
SMDJ 100-50-3/18.5 T				25	1255×340×420	203
SMDJ 150-70-1/18.5 T				20	1070×400×460	180
SMDJ 150-120-1/18.5 T				15	1105×420×465	186
SMDJ 200-180-1/18.5 T				15	1225×340×440	186
SMDJ 65-28-4/22 T	22	30	48.1	30	1455×350×420	271
SMDJ 80-32-3/22 T				30	1425×350×420	244
SMDJ 100-50-4/22 T				25	1375×350×420	235
SMDJ 150-160-1/22 T				15	1260×340×440	198
SMDJ 200-160-1/22 T				15	1260×340×440	198