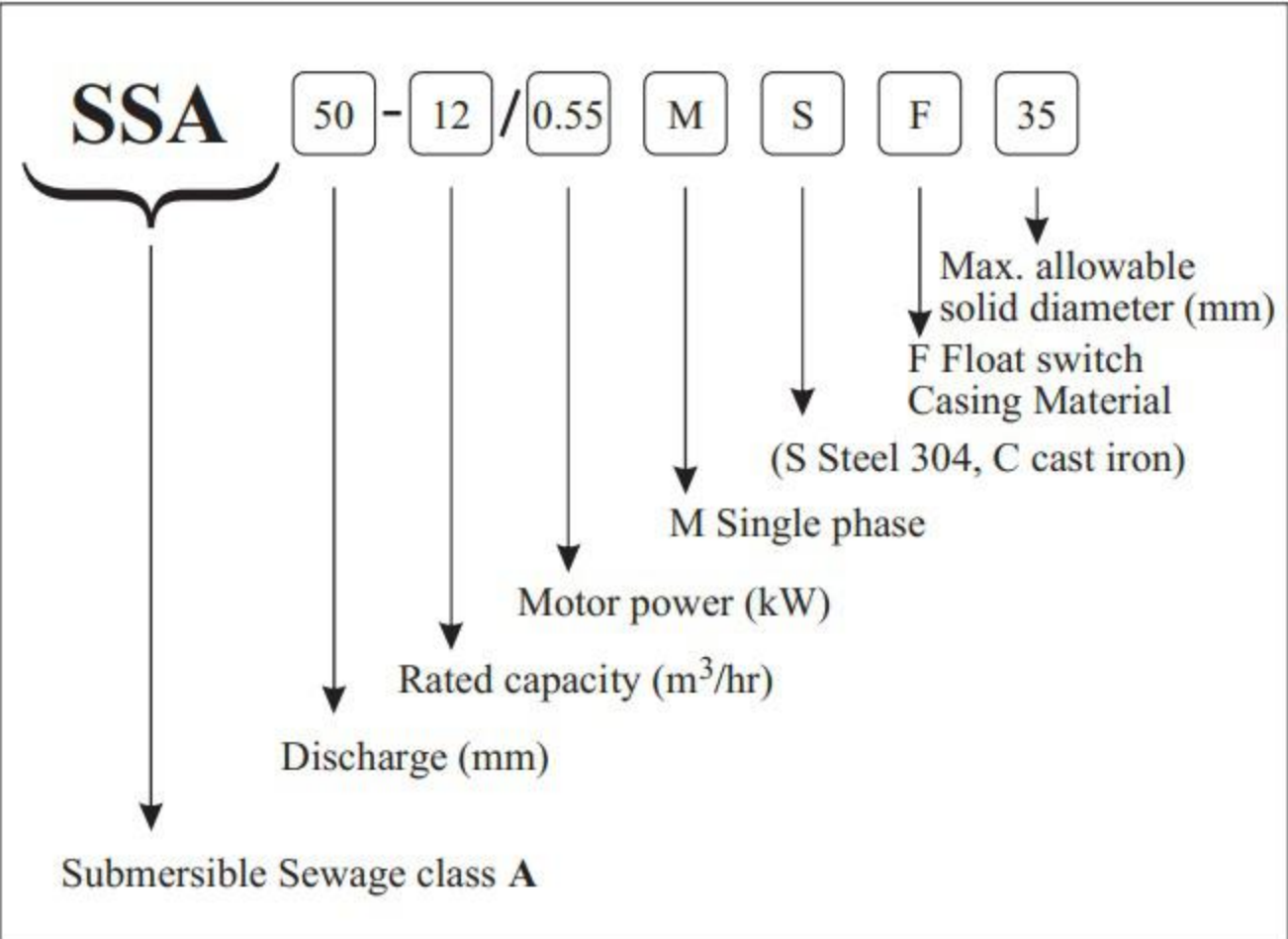
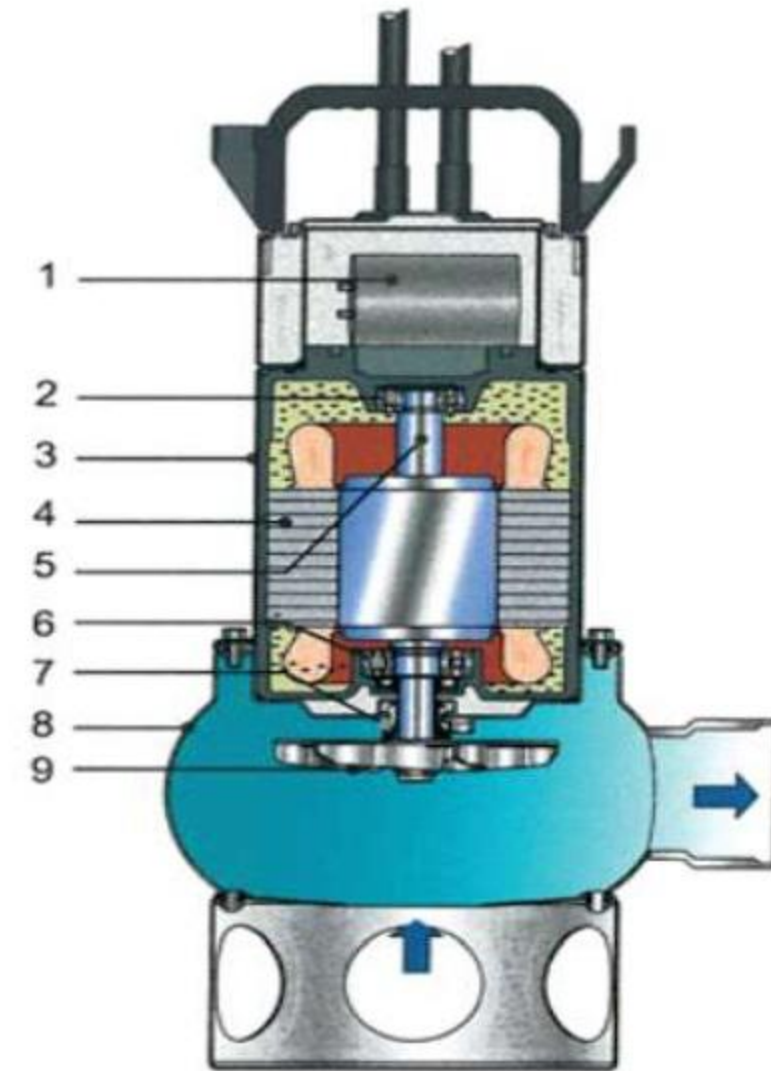


Nomenclature



Pump schematic & Components

1	Capacitor
2	Upper Bearing
3	Motor Casing
4	Motor
5	Motor Shaft
6	Lower Bearing
7	Mechanical Seal
8	Pump Casing
9	Impeller



Submersible Pumps	S Series
Specification: SSA (Sewage Pump)	50 Hz

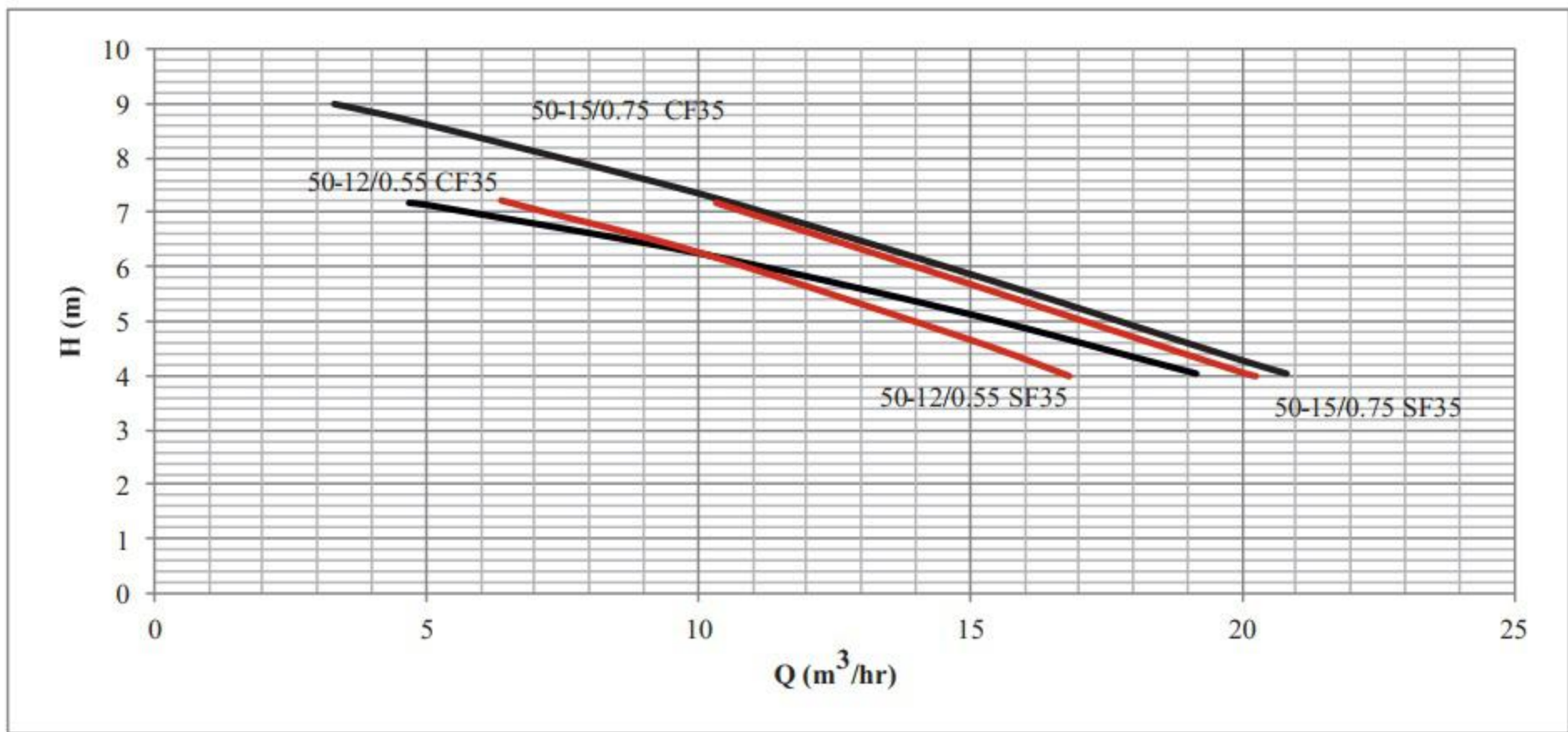
SSA				
PUMP	Liquid Handled	Type of Liquid	Sewage	
		Max. Temp. (°C)	40 ^o	
		Max. Solids Size (mm)	35 or 50 (depends on the model)	
		Max. density (kg/m3)	1200	
		pH Level	4 - 10	
	Construction	Impeller	Semi-open vortex	
		Shaft seal type	Oil lubricated, single spring double mechanical seal	
	Connection	Discharge (mm)	DN 50	
	Material	Casing	Stainless Steel	
		Impeller	Stainless Steel 304	
		Suction Cover	Galvanized Steel	
		Shaft	Stainless Steel	
		Motor frame	Aluminium	
		fasteners	Stainless Steel	
	Mechanical Seal	Hot Pressing Carbon/Alumina Ceramic/NBR Hot Pressing Carbon/Alumina Ceramic/NBR	Impeller Side Motor Side	
Accessories	Standard	Discharge elbow, Float switch for Single phase		
Certificates	CE			

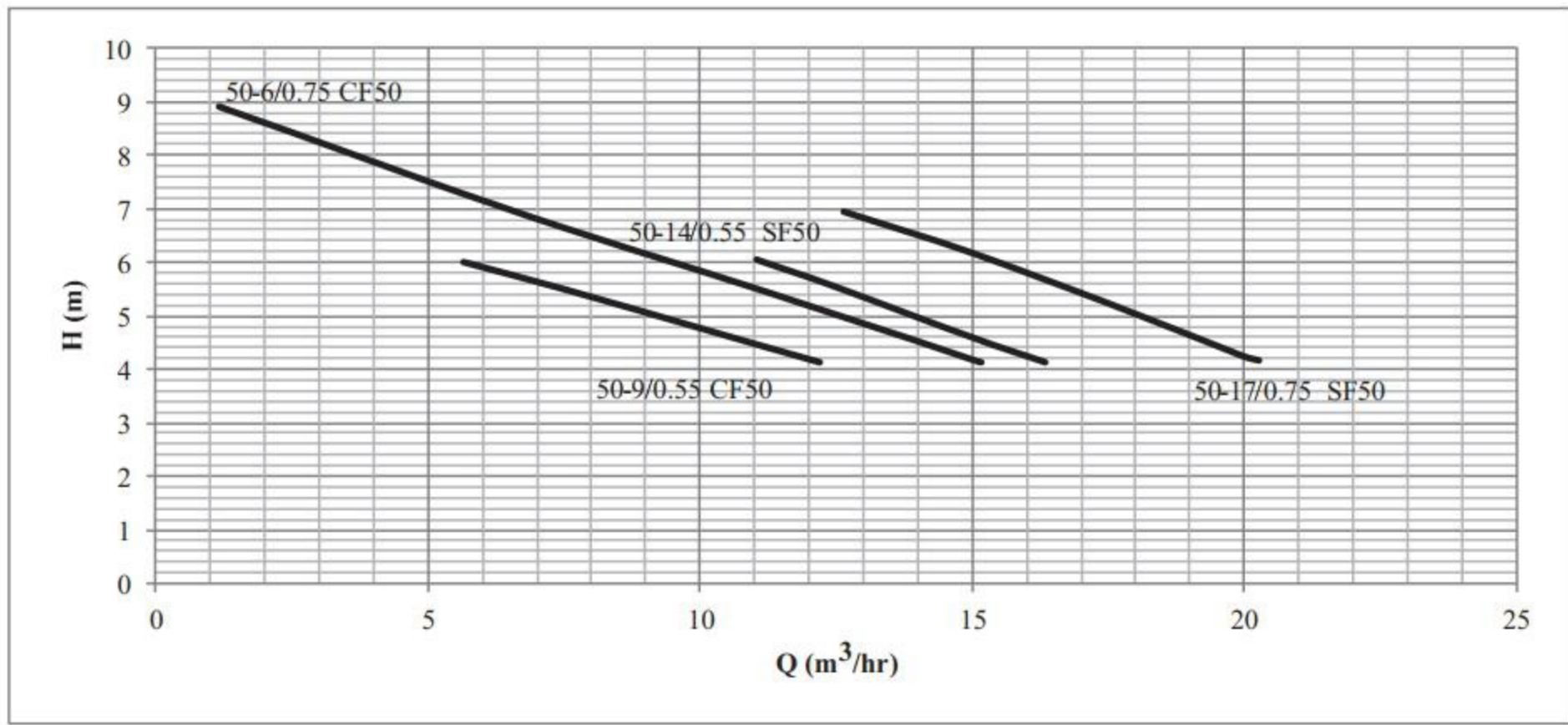
Motor	Type		Oil filled dry submersible
	No. of poles		2
	Rotation Speed (r/min)		2850
	Insulation Class		F
	Protection Degree		IP 68
	Power Rating (kW)		0.55 - 0.75
	Frequency (Hz)		50 ± 5%
	Voltage (V)		220±10% for single phase & 380±10% for three phase
	Starting		DOL
	Over Load Protection		Built in
	Cable	material	H07RN-F
		length (m)	5
Bearings		Permanently lubricated sealed ball bearing	

Performance Curves & Tables

Model	Motor		Q (lit/min)	0	83	166	250	333
Single Phase	HP	kW	Q (m3/hr)	0	5	10	15	20
SSA 50-12/0.55 M SF35	0.75	0.55	H (m)	8.9	-	6.3	4.7	-
SSA 50-12/0.55 M CF35	0.75	0.55		8.0	7.1	6.2	5.1	-
SSA 50-15/0.75 M SF35	1.0	0.75		10.7	-	7.2	5.7	4.0
SSA 50-15/0.75 M CF35	1.0	0.75		9.8	-	7.3	5.9	4.3

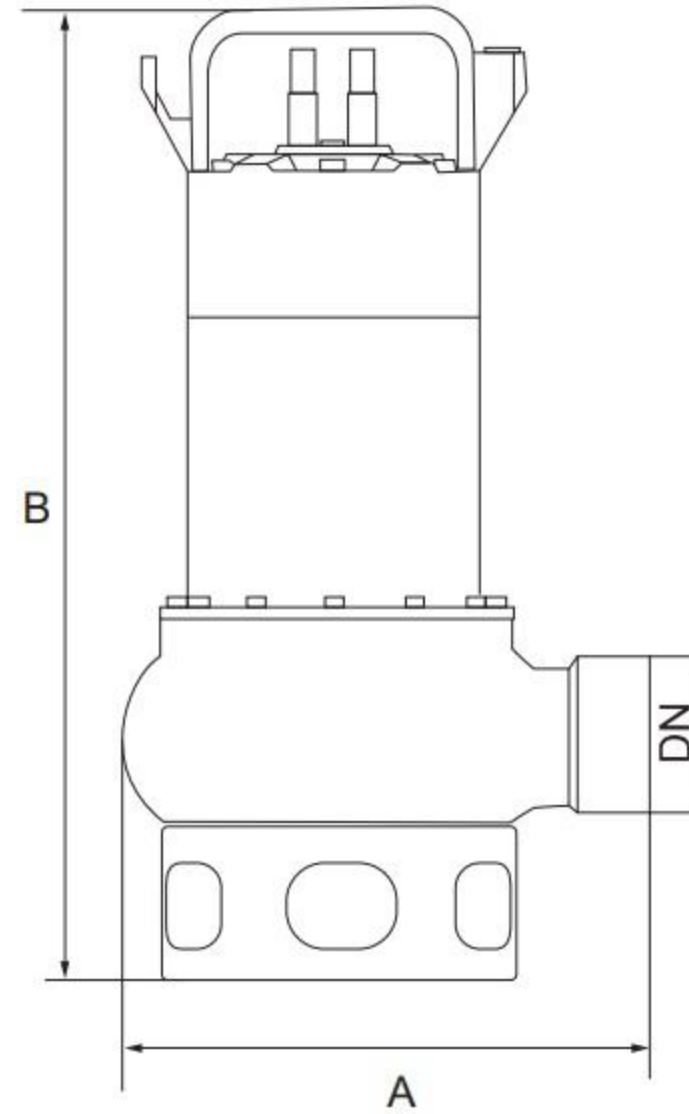
Model	Motor		Q (lit/min)	0	41	83	125	166	208	250	291	333
Single Phase	HP	kW	Q (m3/hr)	0	3	5	8	10	13	15	18	20
SSA 50-9/0.55 M CF50	0.75	0.55	H (m)	7.6	-	-	5.5	4.8	-	-	-	-
SSA 50-14/0.55 M SF50	0.75	0.55		8.4	-	-	-	-	5.5	4.6	-	-
SSA 50-6/0.75 M CF50	1.0	0.75		9.3	8.4	7.5	6.6	5.8	5.0	4.2	-	-
SSA 50-17/0.75 M SF50	1.0	0.75		9.9	-	-	-	-	6.9	6.2	5.2	4.2





Dimensions & Weights

Model	Dim.(mm)			N.W. (kg)
	A	B	DN	
SSA 50-14/0.55 M SF50	220	430	50	9.5
SSA 50-9/0.55 M CF50	258	435	50	12.5
SSA 50-17/0.75 M SF50	220	430	50	9.5
SSA 50-6/0.75 M CF50	258	435	50	10.5
SSA 50-12/0.55 M SF35	210	400	50	9.5
SSA 50-12/0.55 M CF35	248	405	50	10.5
SSA 50-15/0.75 M SF35	220	400	50	10
SSA 50-15/0.75 M CF35	248	405	50	13



Details & Extra Information

Model	Power		Rate Current (A)	Solid Passage (mm)	Cable line (m)	Dim.mm (L×W×H)	G.W. (kg)
	kW	HP					
SSA 50-14/0.55 M SF50	0.55	0.75	4.2	50	5	230×200×465	10.5
SSA 50-9/0.55 M CF50	0.55	0.75	4.2	50	5	230×200×465	13.5
SSA 50-17/0.75 M SF50	0.75	1	5.2	50	5	230×200×465	10.5
SSA 50-6/0.75 M CF50	0.75	1	5.2	50	5	230×200×465	11.5
SSA 50-12/0.55 M SF35	0.55	0.75	4.2	35	5	230×200×465	10.5
SSA 50-12/0.55 M CF35	0.55	0.75	4.2	35	5	230×200×465	11.5
SSA 50-15/0.75 M SF35	0.75	1	5.2	35	5	230×200×465	11
SSA 50-15/0.75 M CF35	0.75	1	5.2	35	5	230×200×465	14