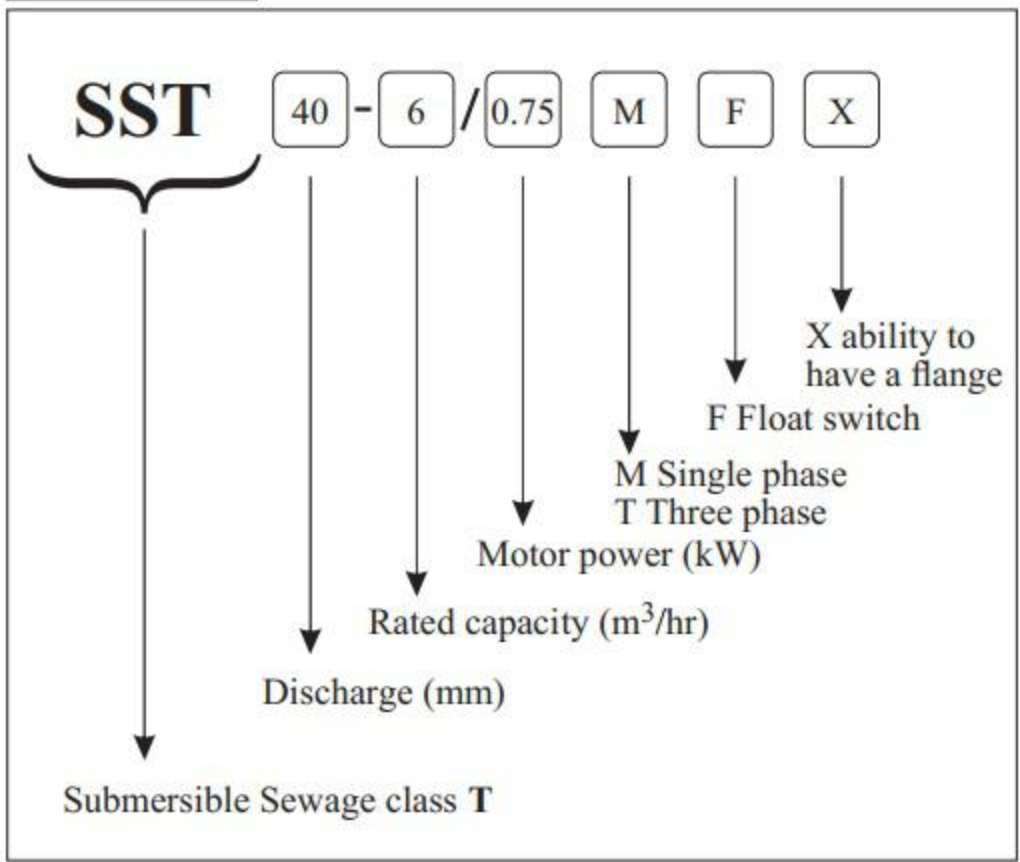
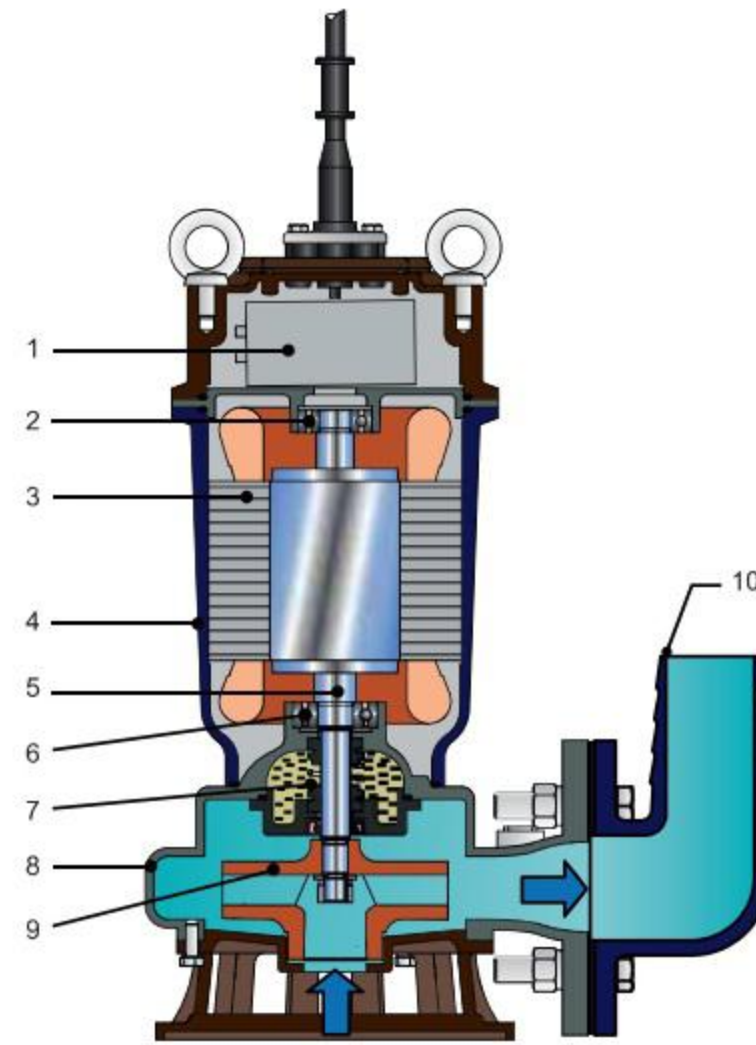


Nomenclature



Pump schematic & Components

1	Capacitor
2	Upper Bearing
3	Motor
4	Motor Casing
5	Motor Shaft
6	Lower Bearing
7	Mechanical Seal
8	Pump Casing
9	Impeller
10	Discharge



Submersible Pumps	S Series
Specification: SST (Sewage Pump)	50 Hz

SST				
PUMP	Liquid Handled	Type of Liquid	Sewage	
		Max. Temp. (°C)	40 ⁰	
		Max. Solids Size (mm)	20, 25 or 30 (depends on the model)	
		Max. density (kg/m3)	1200	
		pH Level	4 - 10	
	Construction	Impeller	Semi-open double channel	
		Shaft seal type	Oil lubricated, single spring double mechanical seal	
	Connection	Discharge (mm)	DN 40, 50, 65, 80, 100	
	Material	Casing	Cast Iron	
		Impeller	Cast Iron	
		Suction Cover	Cast Iron	
		Shaft	Stainless Steel Chromium	
		Motor frame	Cast Iron	
		fasteners	Stainless Steel	
Mechanical Seal		Carbon/Ceramic/NBR	Impeller Side	
		Carbon/Ceramic/NBR	Motor Side	
Accessories	Standard	Discharge elbow, Float switch for Single phase		
Certificates		CE		

Motor	Type		Air filled dry submersible
	No. of poles		2
	Rotation Speed (r/min)		2850
	Insulation Class		F
	Protection Degree		IP 68
	Power Rating (kW)		0.55 - 7.5
	Frequency (Hz)		50 ± 5%
	Voltage (V)		220±10% for single phase & 380±10% for three phase
	Starting		DOL
	Over Load Protection		Built in
	Cable	material	H07RN-F
		length (m)	7, 8, 10 or 15 (Additional information is provided in SST model pages)
	Bearings		Permanently lubricated sealed ball bearing

Performance Curves & Tables

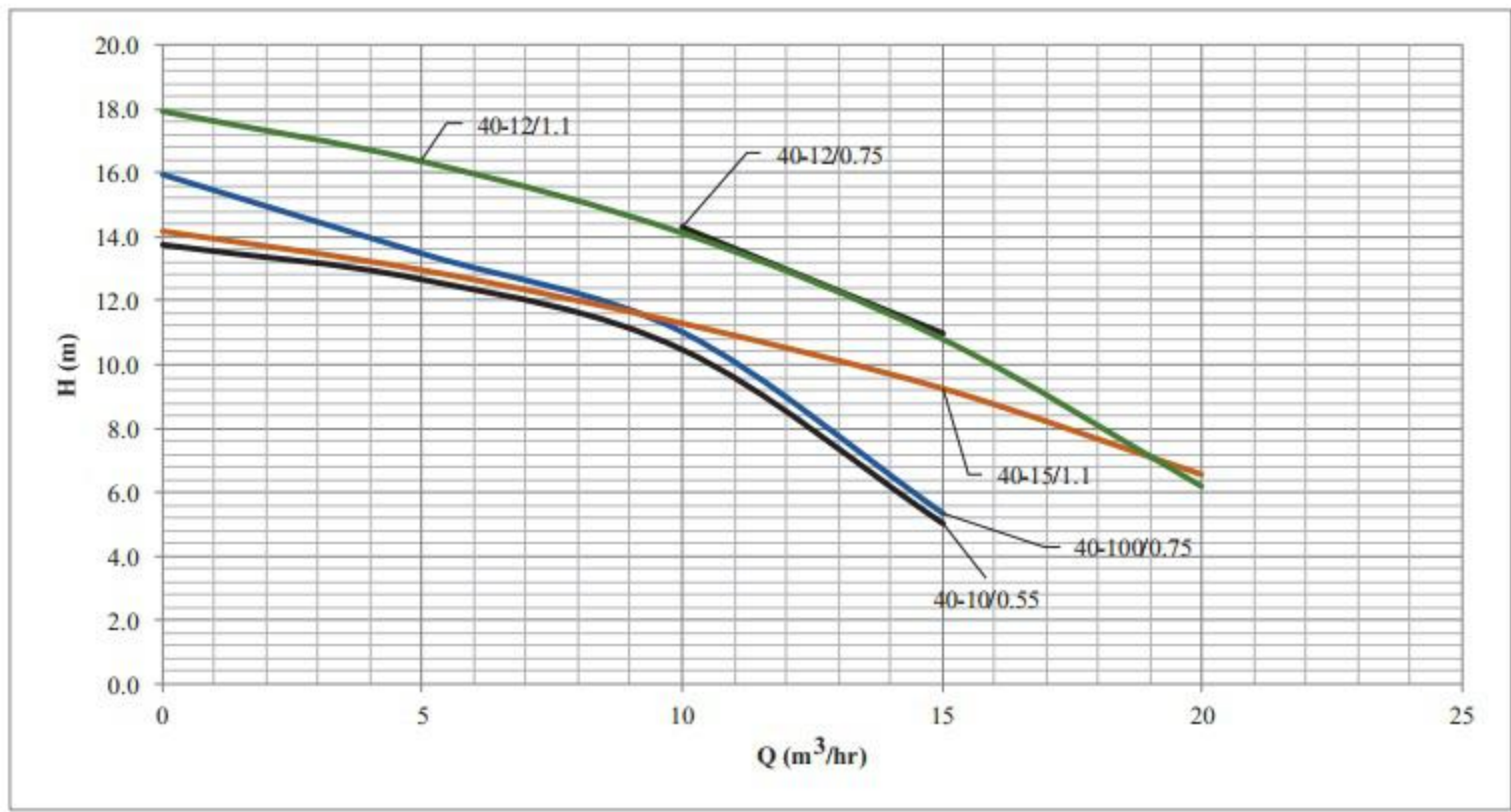
Model		Motor		Q (lit/min)	0	83	166	250	333
Single Phase	Three Phase	HP	kW	Q (m3/hr)	0	5	10	15	20
SST 40-10/0.55 M	-	0.75	0.55	H (m)	13.7	12.6	10.4	5.0	-
SST 40-10/0.75 M	-	1.0	0.75		15.9	13.5	11.0	5.3	-
SST 40-12/0.75 M	-	1.0	0.75		17.6	-	14.3	11.0	-
SST 40-15/1.1 M	-	1.5	1.1		14.2	13.0	11.3	9.3	6.6
SST 40-12/1.1 M	SST 40-12/1.1 T	1.5	1.1		17.9	16.4	14.1	10.8	6.2

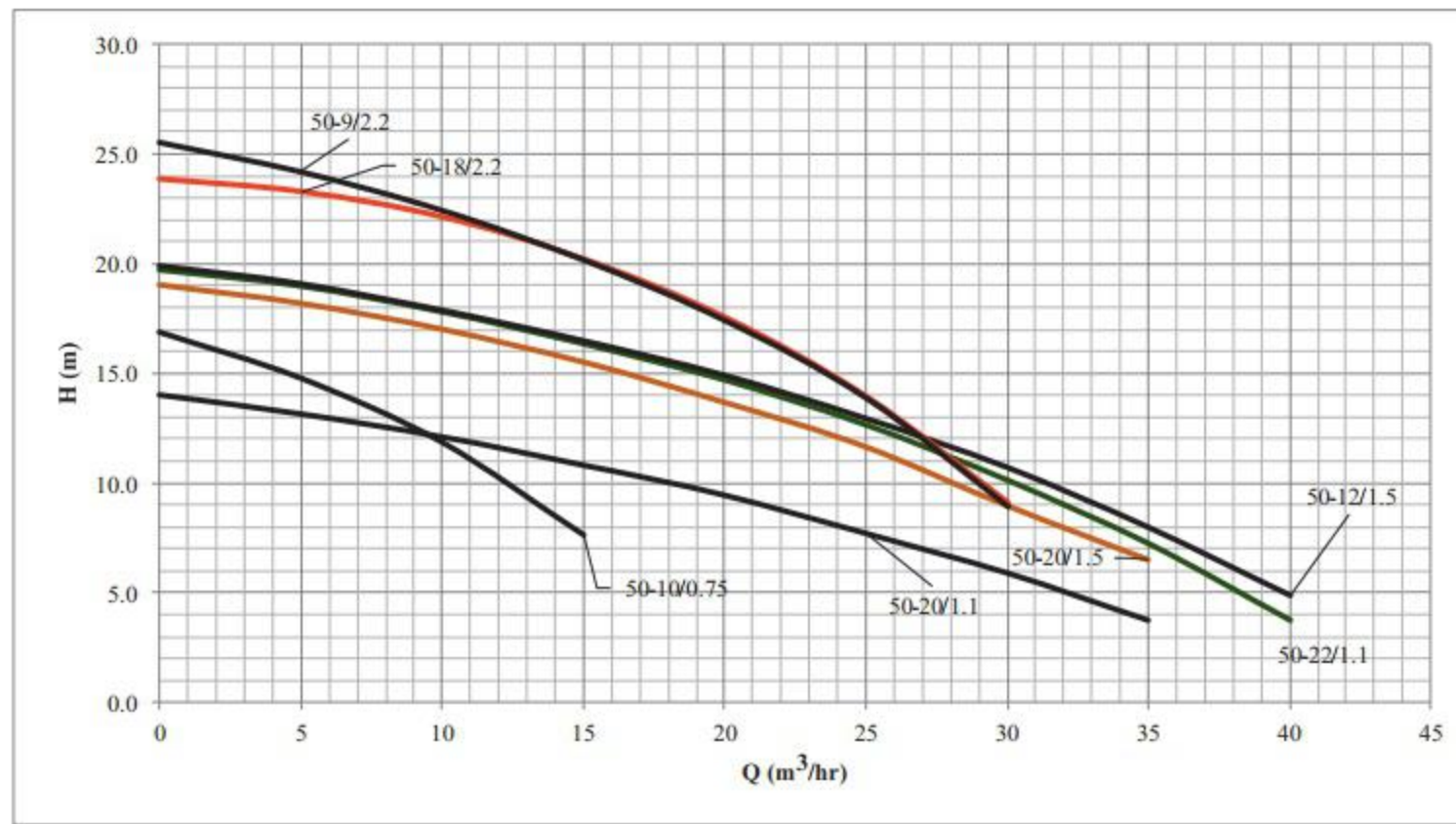
Model		Motor		Q (lit/min)	0	83	166	250	333	416	500	583	666
Single Phase	Three Phase	HP	kW	Q (m3/hr)	0	5	10	15	20	25	30	35	40
-	SST 50-10/0.75 T	1.0	0.75	H (m)	16.9	14.8	11.8	7.6	-	-	-	-	-
-	SST 50-20/1.1 T	1.5	1.1		14.0	13.2	12.1	10.8	9.4	7.7	5.9	3.7	-
-	SST 50-22/1.1 T	1.5	1.1		19.7	19.0	17.8	16.3	14.7	12.6	10.1	7.2	3.7
-	SST 50-20/1.5 T	2.0	1.5		19.0	18.2	17.0	15.5	13.7	11.6	8.9	6.5	-
-	SST 50-12/1.5 T	2.0	1.5		19.9	19.1	17.9	16.5	14.9	12.9	10.7	8.0	4.9
-	SST 50-18/2.2 T	3.0	2.2		23.9	23.3	22.2	20.2	17.6	13.9	9.1	-	-
-	SST 50-9/2.2 T	3.0	2.2		25.5	24.2	22.4	20.2	17.4	13.9	8.9	-	-

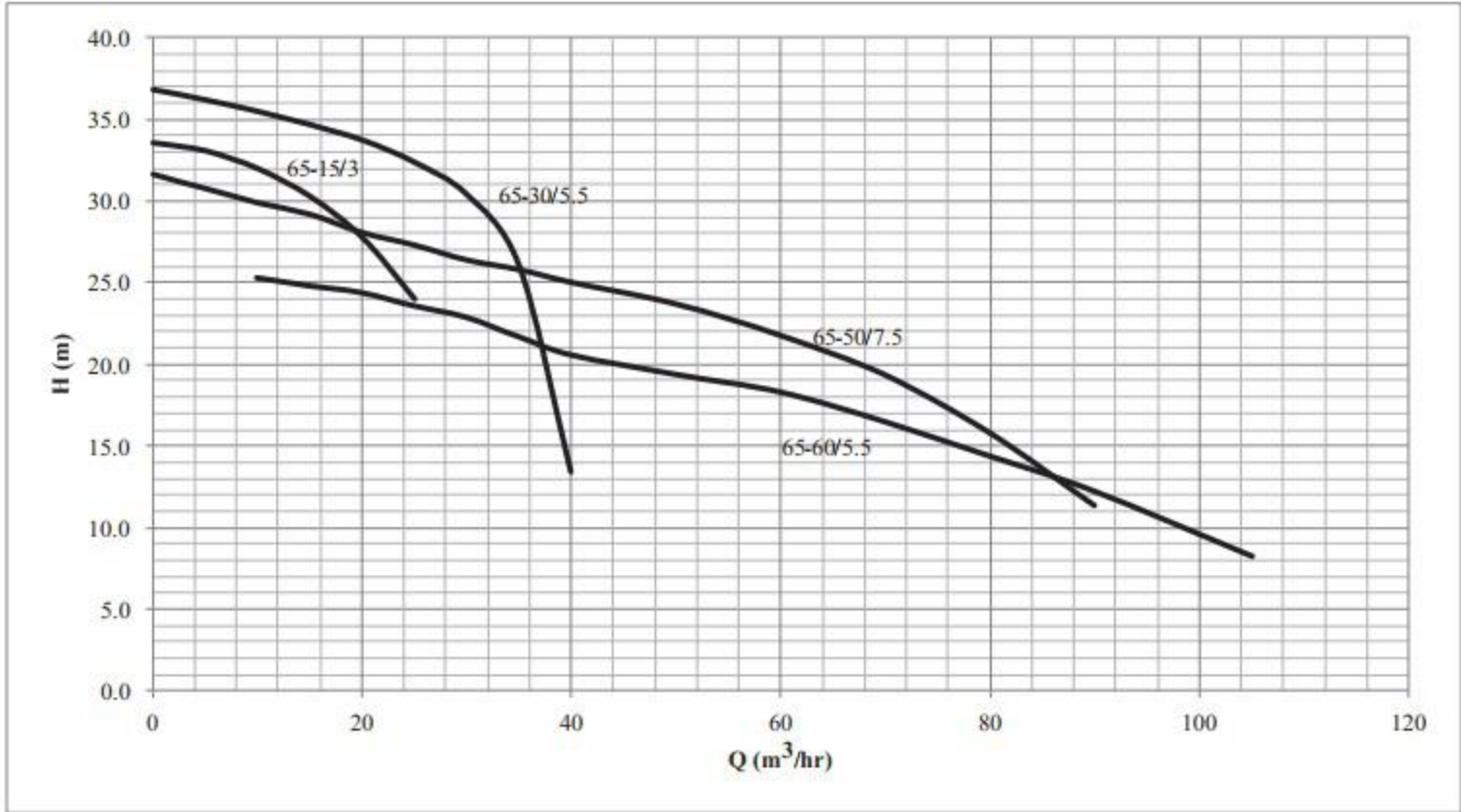
Model		Motor		Q (lit/min)	0	83	167	250	333	417	500	583	667	833	1000	1167	1333	1500	1750
Single Phase	Three Phase	HP	kW	Q (m3/hr)	0	5	10	15	20	25	30	35	40	50	60	70	80	90	105
-	SST 65-15/3 T	4.0	3	H (m)	33.6	33.1	32.0	30.3	27.7	24.0	-	-	-	-	-	-	-	-	-
-	SST 65-60/5.5 T	7.5	5.5		26.3	-	25.3	24.8	24.4	23.6	22.9	21.7	20.6	19.4	18.3	16.5	14.4	12.3	8.3
-	SST 65-30/5.5 T	7.5	5.5		36.8	36.2	35.5	34.7	33.8	32.4	30.4	26.1	13.4	-	-	-	-	-	-
-	SST 65-50/7.5 T	10.0	7.5		31.6	30.8	29.9	29.2	28.1	27.3	26.4	25.8	25.0	23.7	21.8	19.3	15.8	11.3	-

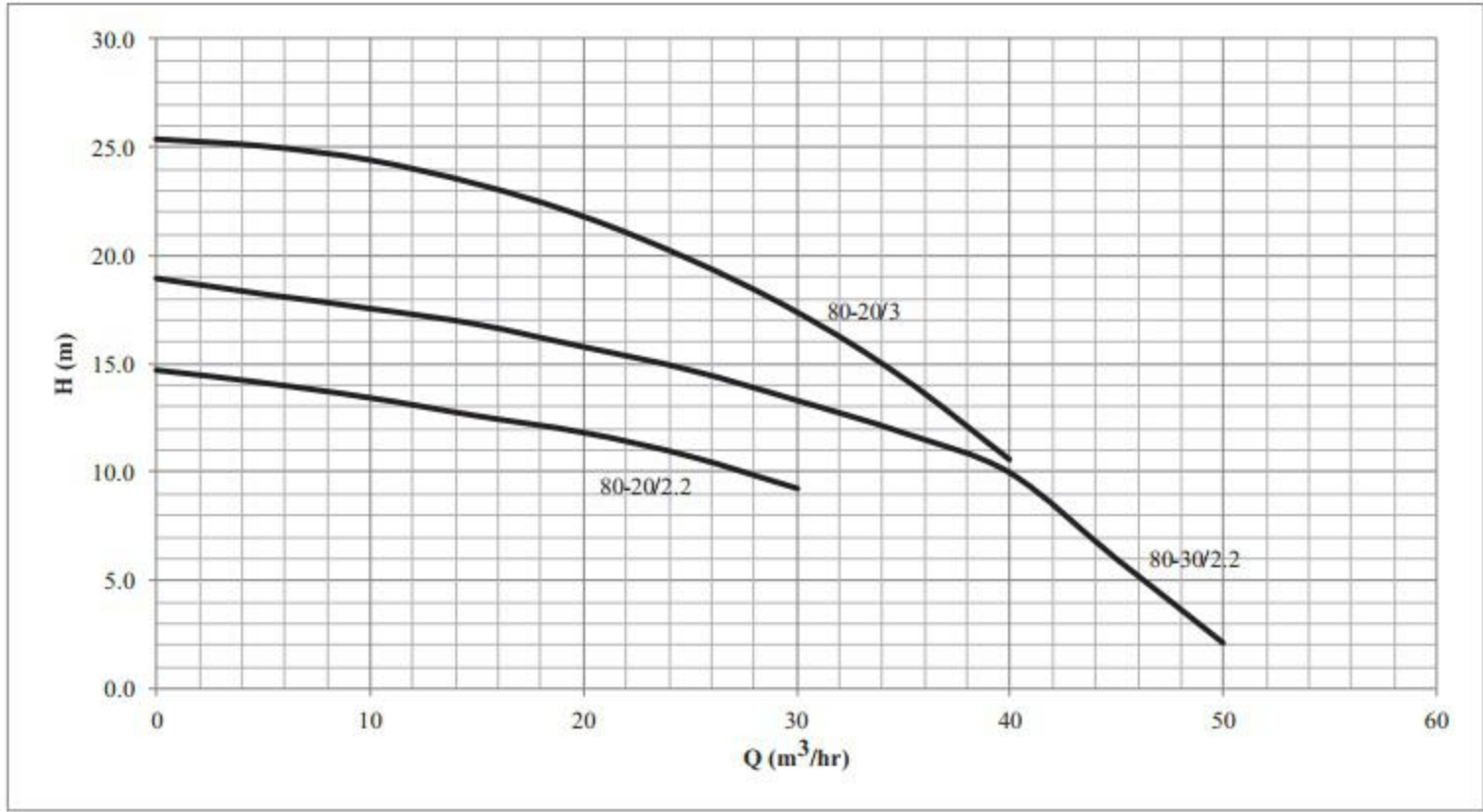
Model		Motor		Q (lit/min)	0	83	166	250	333	416	500	583	666	750	833
Single Phase	Three Phase	HP	kW	Q (m3/hr)	0	5	10	15	20	25	30	35	40	45	50
-	SST 80-20/2.2 T	3.0	2.2	H (m)	14.7	14.1	13.4	12.6	11.8	10.7	9.2	-	-	-	-
-	SST 80-30/2.2 T	3.0	2.2		18.9	18.2	17.5	16.8	15.8	14.7	13.3	11.8	9.9	6.0	2.1
-	SST 80-22/3 T	4.0	3		25.1	24.6	23.8	22.8	21.6	20.0	17.5	14.3	10.5	-	-
-	SST 80-20/3 T	4.0	3		25.4	25.1	24.4	23.4	21.8	19.9	17.5	14.4	10.6	-	-
-	SST 80-25/2.2 T	3.0	2.2		19.1	18.2	17.4	16.6	15.6	14.5	13.2	11.7	10.1	8.1	-

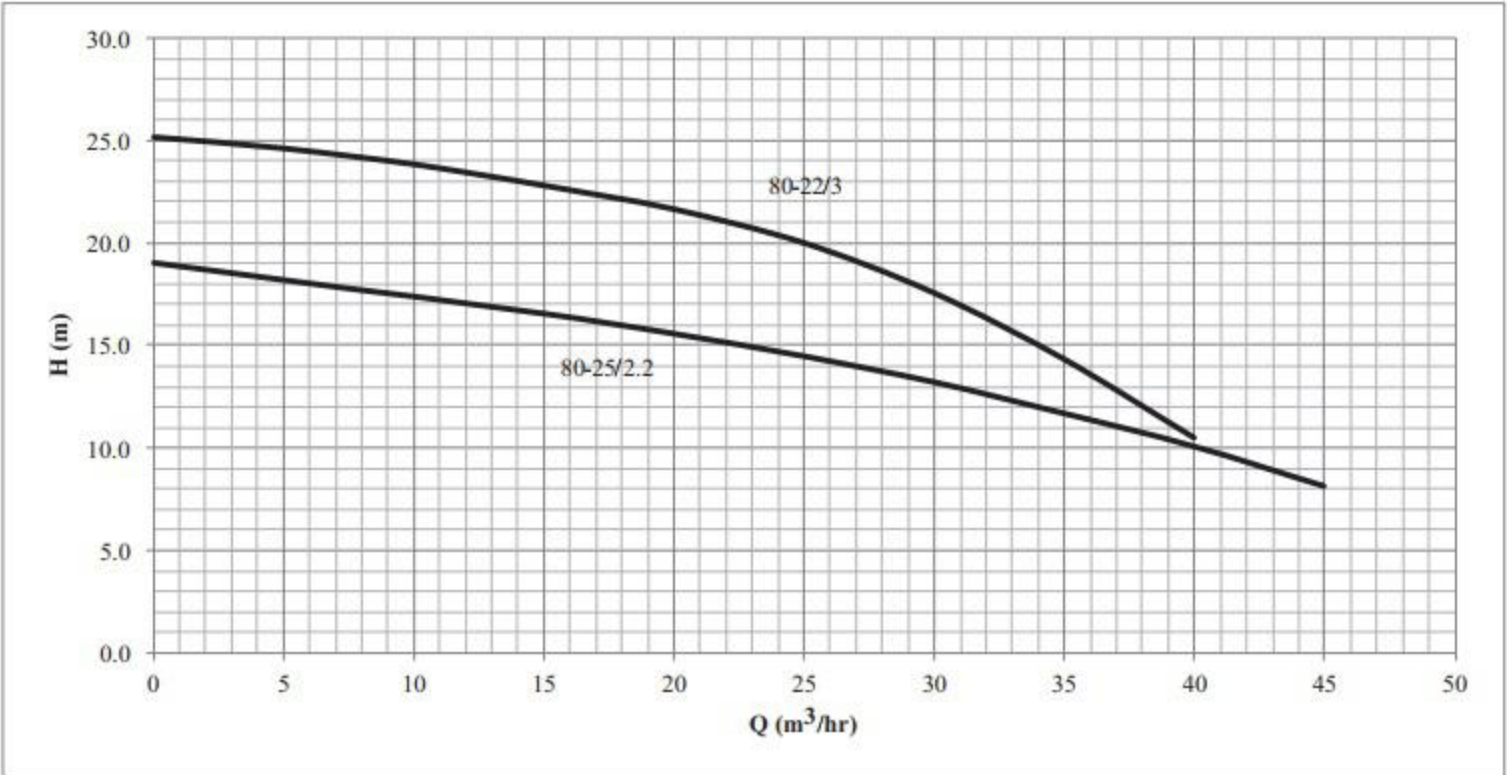
Model		Motor		Q (lit/min)	0	167	333	500	667	833	1000	1167	1333	1500	1750	2000	2250
Single Phase	Three Phase	HP	kW	Q (m3/hr)	0	10	20	30	40	50	60	70	80	90	105	120	135
-	SST 100-45/3 T	4.0	3.0	H (m)	17.9	17.1	16.2	14.8	13.2	11.5	9.5	7.3	4.8	-	-	-	-
-	SST 100-50/3 T	4.0	3.0		19.7	17.8	15.9	14.0	12.6	11.2	9.8	7.5	5.3	3.1	-	-	-
-	SST 100-50/4 T	5.5	4.0		19.0	18.0	16.9	15.9	14.4	12.9	11.5	9.2	6.9	4.6	-	-	-
-	SST 100-40/4 T	5.5	4.0		21.8	20.9	19.7	18.2	16.6	14.6	12.6	10.0	7.1	4.4	-	-	-
-	SST 100-30/5.5 T	7.5	5.5		43.9	41.5	38.3	34.2	28.7	20.1	-	-	-	-	-	-	-
-	SST 100-80/7.5 T	10.0	7.5		19.8	19.3	18.7	18.2	17.4	16.6	15.8	14.8	13.9	12.9	11.3	9.4	7.4
-	SST 100-70/7.5 T	10.0	7.5		21.4	20.8	20.2	19.5	18.8	18.0	17.3	16.4	15.4	14.5	12.8	11.0	9.1
-	SST 100-60/7.5 T	10.0	7.5		27.8	26.9	26.0	25.1	23.9	22.7	21.5	19.9	18.4	16.9	14.1	10.9	7.3
-	SST 100-30/7.5 T	10.0	7.5		42.4	41.1	39.2	36.3	31.8	20.3	-	-	-	-	-	-	-

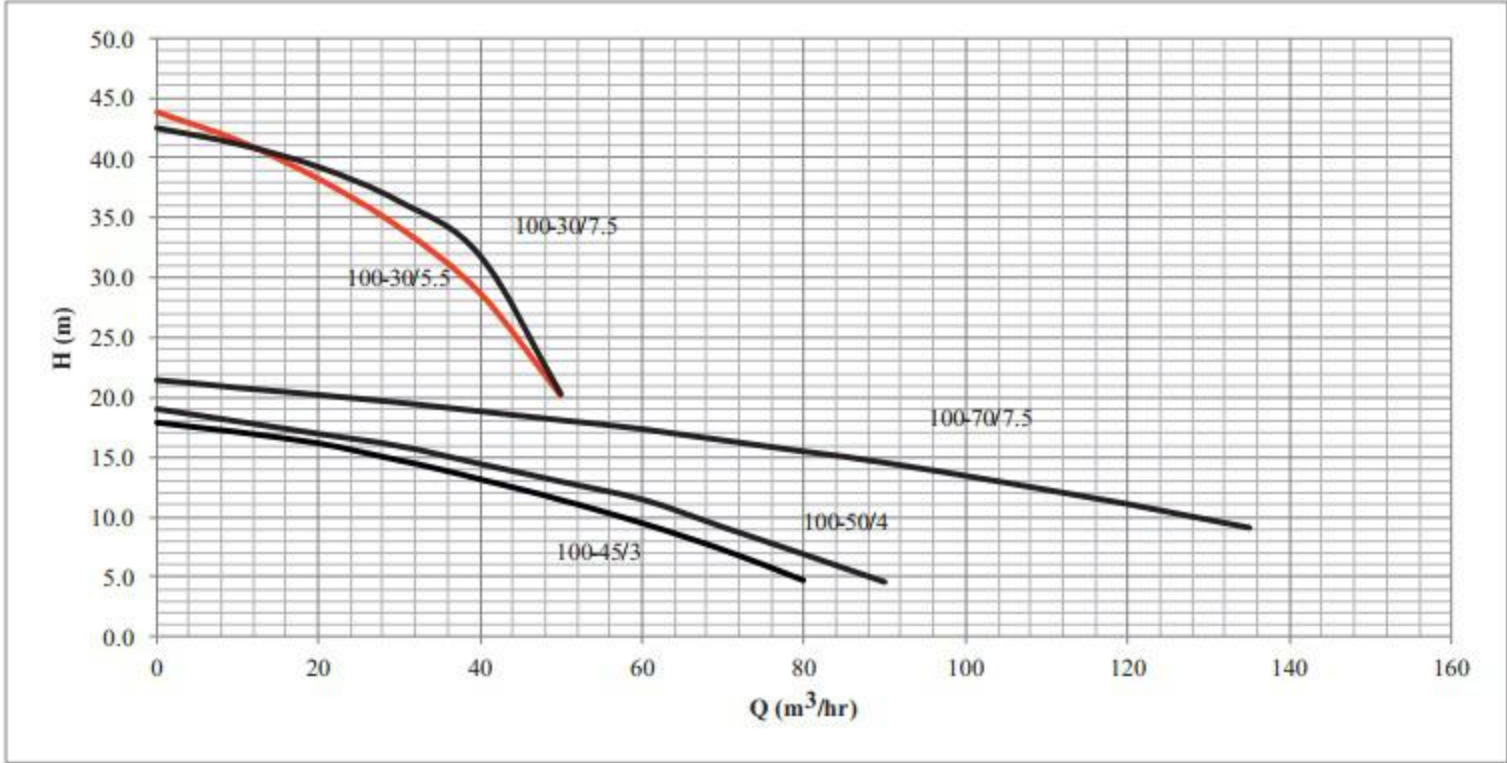


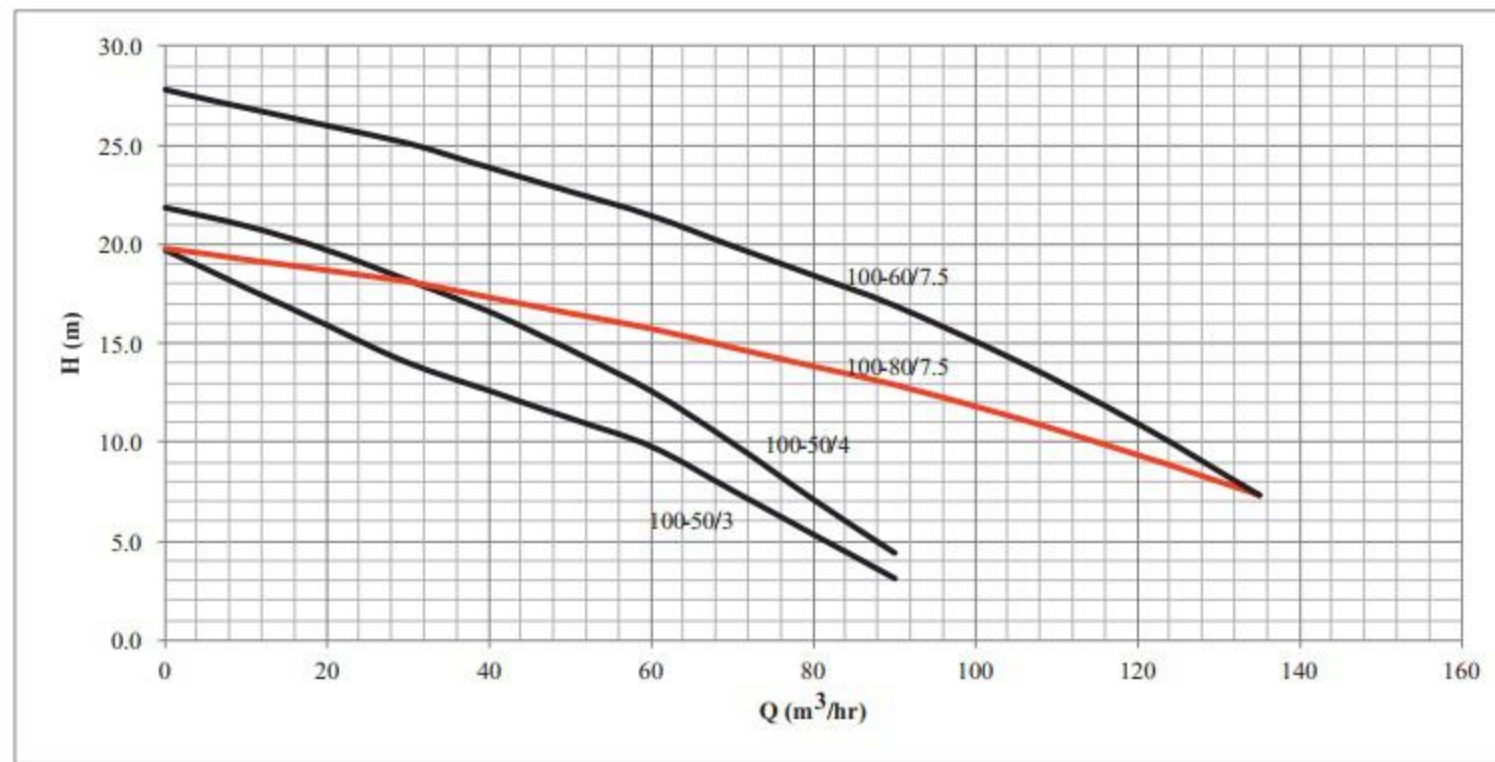






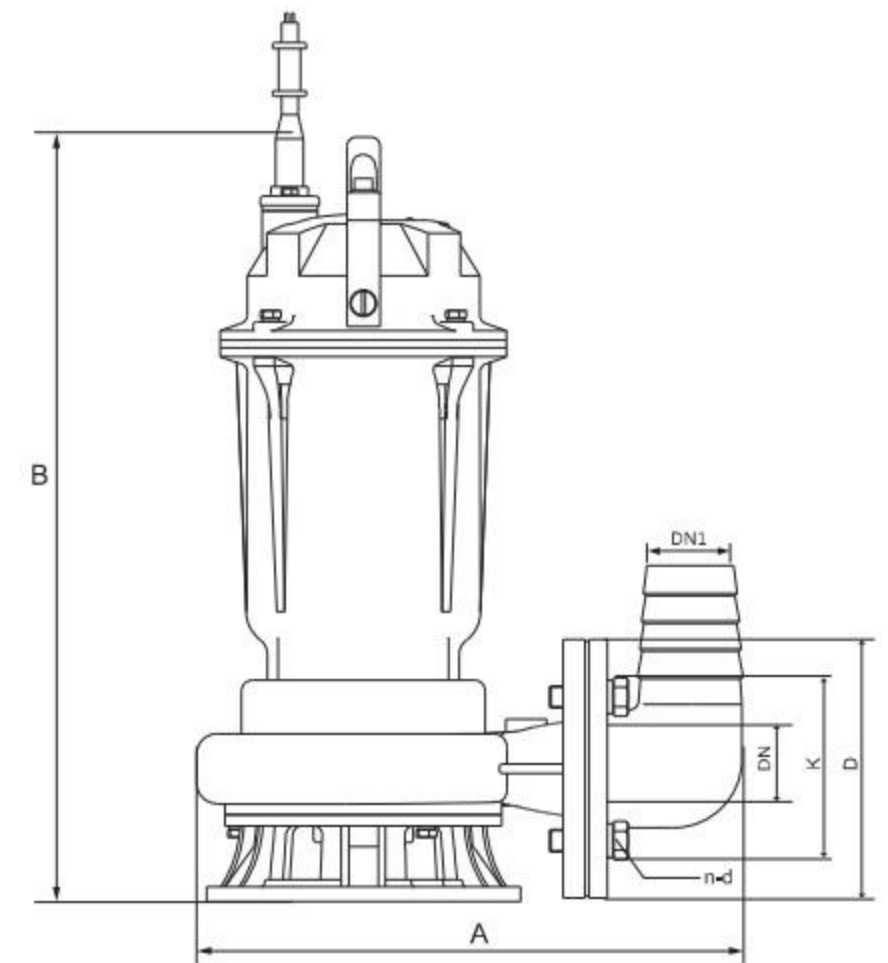




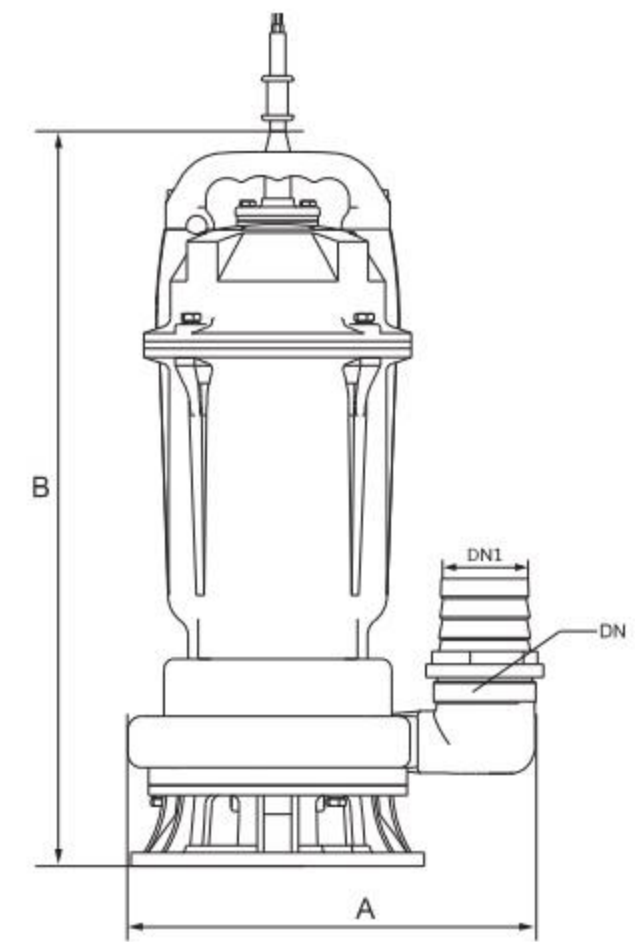


Dimensions & Weights

Model	Dim(mm)						N.W.(kg)
	A	B	DN	D	K	n-d	
SST 40-10/0.55 M	242	415	G1 1/2 Pipe Thread				18
SST 40-12/0.75 M	242	415					21
SST 40-10/0.75 M	242	415					20
SST 40-12/1.1 M	263	475					28
SST 40-15/1.1 M	260	475					27
SST 40-10/0.55 M F	242	415					18
SST 40-12/0.75 M F	242	415					21
SST 40-10/0.75 M F	242	415					20
SST 40-10/0.75 M X	298	414					40
SST 40-12/1.1 M X	338	475	40	140	110	4-φ14	31
SST 50-15/1.1 M X	314	475	50	140	110	4-φ14	30
SST 40-12/0.75 T	242	415	G1 1/2 Pipe Thread				20
SST 40-10/0.75 T	242	414					20
SST 40-10/0.75 T	247	414					20
SST 40-12/1.1 T	263	475					31
SST 50-15/1.1 T	260	475	G2 Pipe Thread				25
SST 50-20/1.1 T	267	485					26
SST 50-12/1.5 T	267	485					28
SST 50-18/1.5 T	267	485					28
SST 50-25/1.5 T	267	485					27
SST 50-9/2.2 T X	341	532					50



SST 60-20/2.2 T X	390	545	80	190	150	4-Ø19	47
SST 80-20/2.2 T X	390	545	80	190	150	4-Ø14	47
SST 80-30/2.2 T X	371	570	65	160	130	4-Ø19	55
SST 80-20/3 T X	380	574	80	190	150	4-Ø19	57
SST 80-25/3 T X	370	574	80	190	150	4-Ø19	57
SST 100-45/3 T X	437	613	100	210	170	4-Ø19	63
SST 100-45/3 T X	437	613	100	210	170	4-Ø19	63
SST 100-50/4 T X	452	622	100	210	170	4-Ø19	58
SST 100-50/4 T X	452	653	100	210	170	4-Ø19	68
SST 100-30/5.5 T X	452	653	100	210	170	4-Ø19	68
SST 65-30/5.5 T X	416	662	65	160	130	4-Ø14	83
SST 65-60/5.5 T X	443	662	65	160	130	4-Ø14	91
SST 100-30/7.5 T X	452	711	100	210	170	4-Ø19	90
SST 65-50/7.5 T X	416	687	65	160	130	4-Ø14	96
SST 100-60/7.5 T X	477	751	100	210	170	4-Ø19	102
SST 100-70/7.5 T X	507	751	100	210	170	4-Ø19	102
SST 100-80/7.5 T X	507	751	100	210	170	4-Ø19	102
SST 100-50/3 T X	507	751	100	210	170	4-Ø14	102
SST 40-10/0.75 T X	298	687	50	140	110	4-Ø14	28
SST 50-10/0.75 T X	310	415	50	140	110	4-Ø14	22
SST 40-12/1.1 T X	338	415	50	140	110	4-Ø14	30
SST 50-15/1.1 T X	314	475	50	140	110	4-Ø14	28
SST 50-20/1.1 T X	332	475	50	140	110	4-Ø14	29
SST 50-12/1.5 T X	332	485	50	140	110	4-Ø14	31
SST 50-18/1.5 T X	332	485	50	140	110	4-Ø14	31
SST 50-25/1.5 T X	332	485	50	140	110	4-Ø14	30



Details & Extra Information

Model	Power		Rate Current (A)	Solid Passage (mm)	Cable line (m)	Dim.mm (L×W×H)	G.W. (kg)
	kW	HP					
SST 40-10/0.55 M	0.55	0.75	4.1	20	8	470×250×235	20
SST 40-12/0.75 M	0.75	1	5.2	20	8	470×250×235	23
SST 40-10/0.75 M	0.75	1		20	8	470×250×235	22
SST 40-12/1.1 M	1.1	1.5	7.3	20	10	550×245×295	31
SST 40-15/1.1 M	1.1	1.5		20	10	470×250×235	30
SST 40-10/0.55 M F	0.55	0.75	4.1	20	8	470×250×235	20
SST 40-12/0.75 M F	0.75	1	5.2	20	8	470×250×235	23
SST 40-10/0.75 M F	0.75	1		20	10	470×250×235	22
SST 40-10/0.75 M X	0.75	1		20	10	470×250×235	26
SST 40-12/1.1 M X	1.1	1.5		7.3	20	10	550×245×235
SST 50-15/1.1 M X	1.1	1.5	20		10	470×250×235	33
SST 40-12/0.75 T	0.75	1	2	20	10	470×250×235	22
SST 40-10/0.75 T	0.75	1		20	10	520×210×275	23
SST 40-10/0.75 T	0.75	1		20	10	520×210×275	23
SST 40-12/1.1 T	1.1	1.5	2.7	20	10	550×245×295	34
SST 50-15/1.1 T	1.1	1.5		20	10	550×245×295	28
SST 50-20/1.1 T	1.1	1.5		25	7	550×245×295	29
SST 50-12/1.5 T	1.5	2	3.6	20	15	550×245×295	31
SST 50-18/1.5 T	1.5	2		20	15	550×245×295	31

SST 40-12/0.75 T	0.75	1	2	20	10	470×250×235	22
SST 40-10/0.75 T	0.75	1		20	10	520×210×275	23
SST 40-10/0.75 T	0.75	1		20	10	520×210×275	23
SST 40-12/1.1 T	1.1	1.5	2.7	20	10	550×245×295	34
SST 50-15/1.1 T	1.1	1.5		20	10	550×245×295	28
SST 50-20/1.1 T	1.1	1.5		25	7	550×245×295	29
SST 50-12/1.5 T	1.5	2	3.6	20	15	550×245×295	31
SST 50-18/1.5 T	1.5	2		20	15	550×245×295	31
SST 50-25/1.5 T	1.5	2		25	10	550×245×295	30
SST 50-9/2.2 T X	2.2	3	5.1	20	15	630×285×345	46
SST 50-18/2.2 T X	2.2	3		20	15	630×285×345	46
SST 80-25/2.2 T X	2.2	3		25	15	630×285×345	51
SST 80-20/2.2 T X	2.2	3		25	7	630×285×345	51
SST 80-30/2.2 T X	2.2	3		25	10	630×285×345	51
SST 65-15/3 T X	3	4	6.7	25	15	680×285×345	59
SST 80-20/3 T X	3	4		25	10	680×285×345	61
SST 80-25/3 T X	3	4		25	10	680×285×345	61
SST 100-45/3 T X	3	4		25	10	700×310×370	68
SST 100-45/3 T X	3	4		25	10	700×310×370	68
SST 100-50/4 T X	4	5.5	8.8	25	10	745×345×415	73
SST 100-50/4 T X	4	5.5		25	10	745×345×415	73
SST 100-30/5.5 T X	5.5	7.5	11.7	25	15	750×340×380	89
SST 65-30/5.5 T X	5.5	7.5		25	15	750×340×380	97
SST 65-60/5.5 T X	5.5	7.5		30	10	810×340×410	96

SST 100-45/3 T X	3	4		25	10	700×310×370	68
SST 100-50/4 T X	4	5.5	8.8	25	10	745×345×415	73
SST 100-50/4 T X	4	5.5		25	10	745×345×415	73
SST 100-30/5.5 T X	5.5	7.5		25	15	750×340×380	89
SST 65-30/5.5 T X	5.5	7.5	11.7	25	15	750×340×380	97
SST 65-60/5.5 T X	5.5	7.5		30	10	810×340×410	96
SST 100-30/7.5 T X	7.5	10		25	10	800×355×410	102
SST 65-50/7.5 T X	7.5	10	15.7	30	10	845×355×415	109
SST 100-60/7.5 T X	7.5	10		30	10	845×355×415	109
SST 100-70/7.5 T X	7.5	10		30	10	845×355×415	109
SST 100-80/7.5 T X	7.5	10		30	10	845×355×415	109
SST 100-50/3 T X	3	4		6.7	25	15	715×345×415
SST 40-10/0.75 T X	0.75	1	2	20	10	520×210×275	31
SST 50-10/0.75 T X	0.75	1		20	10	520×210×275	25
SST 40-12/1.1 T X	1.1	1.5	2.7	20	10	550×245×295	33
SST 50-15/1.1 T X	1.1	1.5		20	10	550×245×295	31
SST 50-20/1.1 T X	1.1	1.5		20	10	550×245×295	32
SST 50-12/1.5 T X	1.5	2	3.6	20	15	550×245×295	34
SST 50-18/1.5 T X	1.5	2		20	15	550×245×295	34
SST 50-25/1.5 T X	1.5	2		25	10	550×245×295	33